

S T E A M

VULCAN**VECTS12
ELECTRIC TILTING BRAISING PAN**

Model VECTS12

**SPECIFICATIONS**

Electric tilting braising pan, Vulcan-Hart Model No. VECTS12. Stainless steel front and sides. 10 gauge polished stainless steel pan body with coved interior corners. Formed pouring lip. The pan pivots on trunnions. Pan can be fully tilted. Solid sheathed tubular heating elements embedded in 1½" thick aluminum castings affixed to pan bottom for even heat distribution. Elements shut off when pan is tilted 5°. Faucet bracket. Controls include a snap acting thermostat adjustable from 160° to 450°F. Requires a 208 or 240 volt, 60 Hz, 1 or 3 phase power supply.

Exterior Dimensions:

29"w x 26"d x 20" overall height; with handle 33¼"h.

NSF listed. UL listed.

- VECTS12** Electric Tilting Braising Pan

STANDARD FEATURES

- Stainless steel front and sides. 10 gauge polished stainless steel pan body with coved interior corners. Formed pouring lip.
- The pan pivots on trunnions. Pan can be fully tilted.
- Solid sheathed tubular heating elements imbedded in 1½" thick aluminum castings affixed to pan bottom for even heat distribution. Elements shut off when pan is tilted 5°.
- Faucet bracket.
- Controls include a snap acting thermostat adjustable from 160° to 450°F.
- Requires a 208 or 240 volt, 60 Hz, 1 or 3 phase power supply.
- One year limited parts and labor warranty.

OPTIONS

- Etched gallon markings.
- Correction facility package:
 - Control cover (lock by others).
 - Security type tamper resistant fasteners with tack welds.
- 480 volt, 50 Hz, 3 phase, includes stepdown transformer
- Second year extended limited parts and labor warranty.

ACCESSORIES (Packaged & Sold Separately)

- 12" swing faucet, single temperature.
- 12" swing faucet, dual temperature.
- 18" swing faucet, single temperature.
- 18" swing faucet, dual temperature.
- Steaming pan insert rack to hold 12" x 20" food pan.
- Lift off cover.
- VSKT stand see spec sheet F-32474.

VULCAN

a division of ITW Food Equipment Group LLC

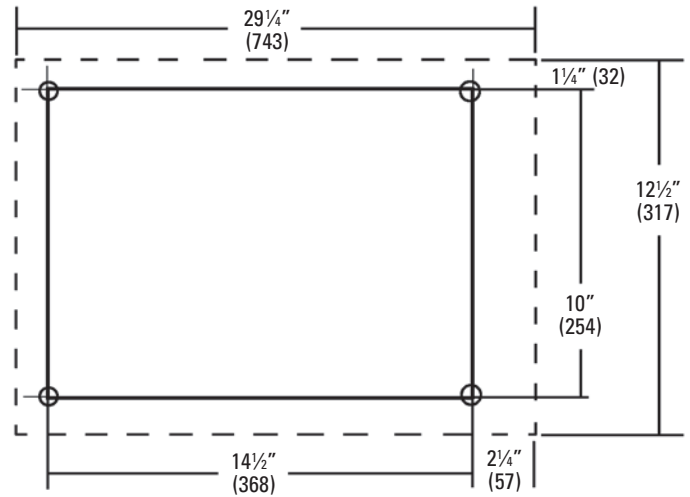
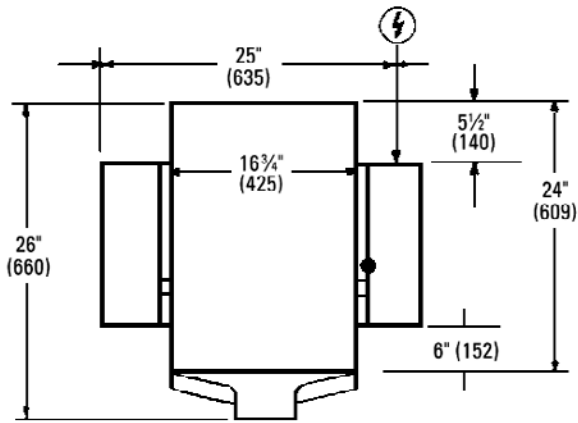
P.O. Box 696 ■ Louisville, KY 40201 ■ Toll-free: 1-800-814-2028 ■ Local: 502-778-2791 ■ Quote & Order Fax: 1-800-444-0602



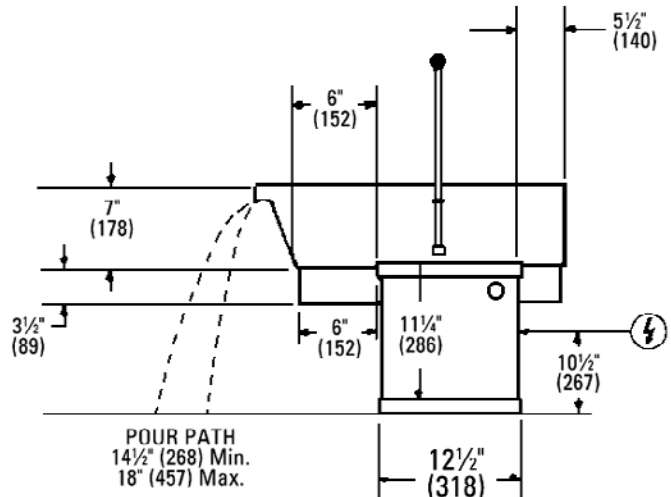
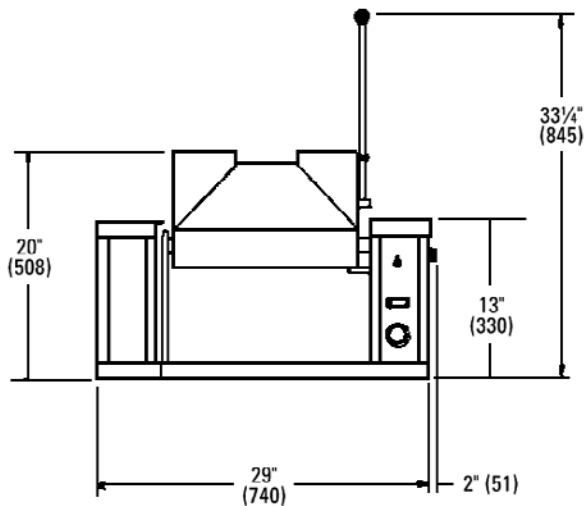
VECTS12
ELECTRIC TILTING BRAISING PAN

SERVICE CONNECTIONS:

ELECTRICAL CONNECTION: Heating element power 1³/₈" dia. (1" conduit). See capacity schedule.



MOUNTING DETAIL



MODEL	PH	208V		220V		240V		480V		BRIMFUL CAPACITY	4 OZ. SERVINGS
		KW	AMP	KW	AMP	KW	AMP	KW	AMP		
VECTS12	1	9.0	43.3	9.0	40.9	9.0	37.5	-	-	12 gallons 45 liters	384
	3	9.0	25.0	9.0	23.6	9.0	21.7	9.0	10.8		



a division of ITW Food Equipment Group LLC

P.O. Box 696 ■ Louisville, KY 40201 ■ Toll-free: 1-800-814-2028 ■ Local: 502-778-2791 ■ Quote & Order Fax: 1-800-444-0602

NOTE: In line with its policy to continually improve its products, Vulcan reserves the right to change materials and specifications without notice.