

HOBART701 S Ridge Avenue, Troy, OH 45374
1-888-4HOBART • www.hobartcorp.com**85HMF
MOBILE FILTER****HOBART****STANDARD FEATURES**

- 16 gauge #304 stainless steel filter vessel
- Fold down stainless steel handle and casters for ease of mobility
- 6' oil discard hose with handle
- 1/8 H.P. motor and pump circulates hot frying compound at the rate of 5.6 gallons per minute
- 75 watt heater on intake line
- Removable paperless stainless steel mesh screen
- 120 volt, 60 Hz, 1 phase

OPTIONS

- 208 volt, 50/60 Hz, 1 phase
- 220-240 volt, 50/60 Hz, 1 phase

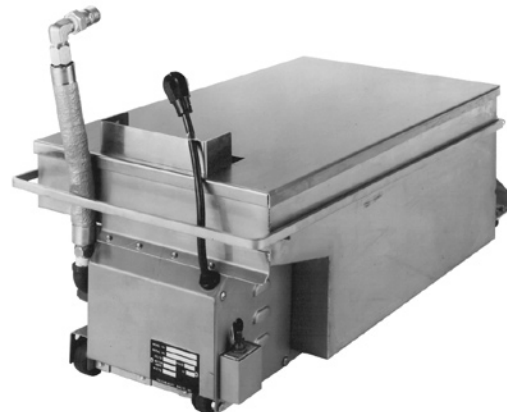
**MODELS**

- 85HMF-1
- 85HMF-2
- 85HMF-3
- 85HMF-4
- 85HMF-5
- 85HMF-6

Specifications, Details and Dimensions on Reverse Side.



HMF85-1, HMF85-2, HMF85-3



HMF85-4, HMF85-5, HMF85-6

85HMF MOBILE FILTER

85HMF MOBILE FILTER



701 S Ridge Avenue, Troy, OH 45374
1-888-4HOBART • www.hobartcorp.com

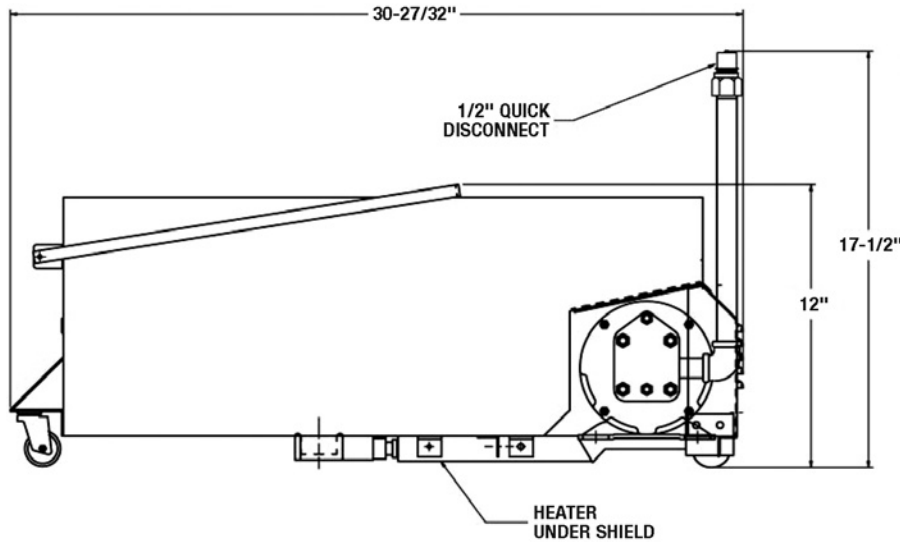
DETAILS AND DIMENSIONS

IMPORTANT

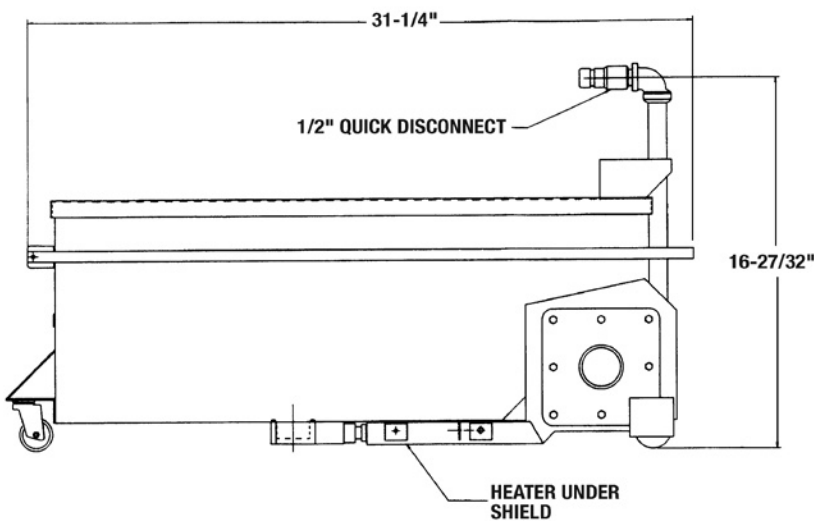
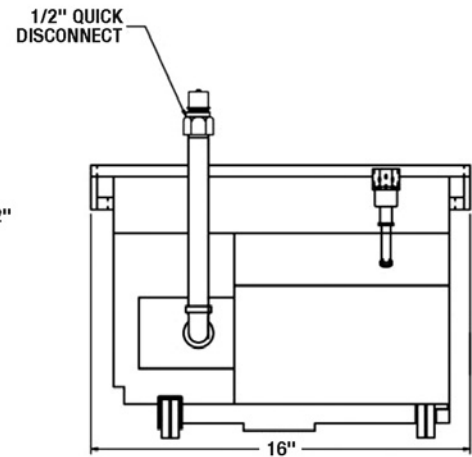
1. The use of diatomaceous filtering compound is recommended for thorough cleansing of the shortening. However, it is not required for filtration with this unit.
2. This appliance is manufactured for commercial installation only and is not intended for home use.

SERVICE CONNECTIONS:

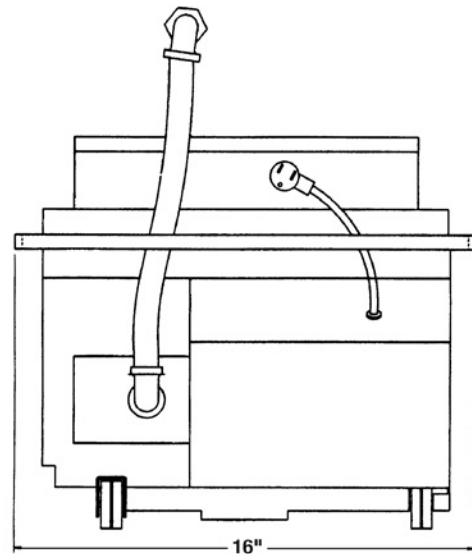
120 volt, 60 Hz, 1 phase power supply. Cord & plug supplied.



HMF85-1, HMF85-2, HMF85-3



HMF85-4, HMF85-5, HMF85-6



MODEL	MOTOR	ELEC./AMPS	PUMP CAPACITY	FILTER AREA	APPROX. SHIP. WT.
85HMF-4, -5, -6	1/8 HP/1750 RPM	115V / 5.0	5.6 gal./min.	283 sq. in.	65 lbs.

As continued product improvement is a policy of Hobart, specifications are subject to change without notice.