

HOBART701 S Ridge Avenue, Troy, OH 45374
1-888-4HOBART • www.hobartcorp.com**HOB 15
COUNTER SPRING
DIAL SCALE****FOR PROFIT
PROTECTION**

A low cost profit protecting scale for commercial and foodservice application. This fast operating dial scale is ideal for receiving meats, produce and other commodities invoiced by weight.

Hobart Counter Spring Dial Scales meet various duty requirements for a receiving scale and also fits food service operations requiring ingredient weighing.

Choice of three avoirdupois and two metric charts to fit your weighing requirements.

FEATURES

CHART: Non-glare three plated lock steel face with large vertical numbers for maximum readability.

WEIGHING MECHANISM: Temperature compensated precision spring, rack and pinion mechanism.

TARE KNOB: Allows a tare setting up to 10% of chart capacity.

LEVELING BUBBLE: Conveniently located next to column.

COLUMN: Stainless steel wrap around is standard. Tall column offers an unobstructed view of the indicator.

PLATFORM: Stainless steel platform cover is standard. 13³/₄" x 19".

FINISH: Grey Gloss Baked Enamel.

WEIGHTS & MEASURES: Class III Weighing Device. Legal for trade.

Specifications, Details and Dimensions on Reverse Side.



**Model HOB15-1
pictured with optional
wheeled stand Model 8280.**

HOB 15 COUNTER SPRING DIAL SCALE

HOBART

701 S Ridge Avenue, Troy, OH 45374
1-888-4HOBART • www.hobartcorp.com

SPECIFICATIONS

AVAILABLE CHARTS

Device No.	Chart	Avoirdupois Capacity	Device No.	Chart	Metric Capacity
HOB15-3	50A	50 lb. x 1 oz.	HOB15-4	25M	25kg x 50g
HOB15-1	100A	100 lb. x 2 oz.	HOB15-5	50M	50kg x 100g
HOB15-2	200A	200 lb. x 4 oz.			

NOTE: When ordering specify Device Number and accessory stand, if required.

Standard Accessories:

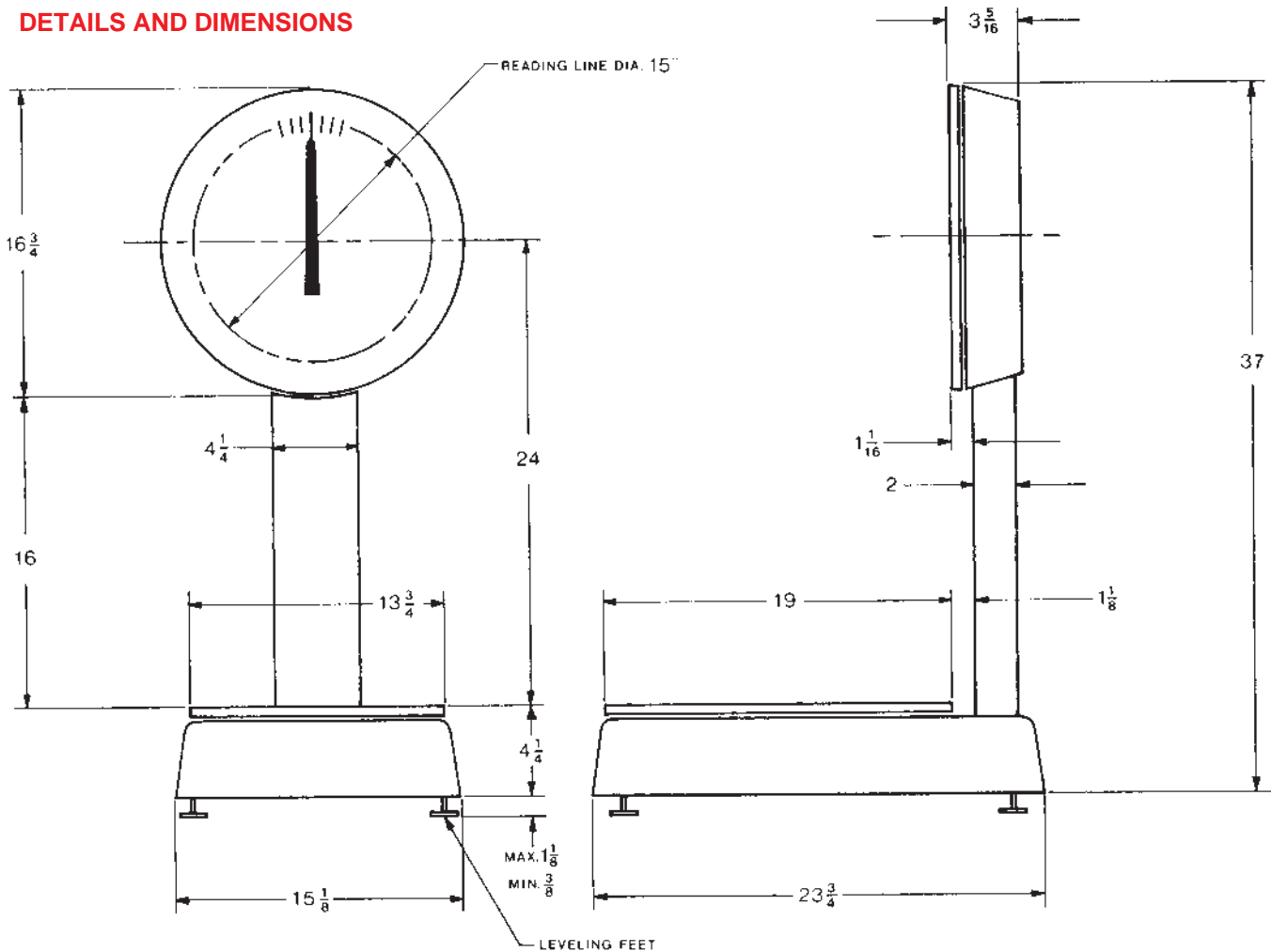
Stainless Steel Column Wrap-Around, 16" Tall.

Stainless Steel Platform Cover: 13 3/4" x 19" Stainless steel meets USDA requirements.

Optional Accessory:

Wheeled Stand: 19" wide; 31 5/8" long; 26" high. Square steel tubing; chrome finished for maximum rust prevention. Large wheels for stability as well as portability.

DETAILS AND DIMENSIONS



HOBART
CORPORATION

As continued product improvement is a policy of Hobart, specifications are subject to change without notice.

701 S RIDGE AVENUE
TROY, OHIO 45374-0001