

HOBART701 S Ridge Avenue, Troy, OH 45374
1-888-4HOBART • www.hobartcorp.com**FP150
FOOD PROCESSOR****HOBART****STANDARD FEATURES**

- Red OFF, Green ON Buttons
- Compact Design
- Angled Front
- Planetary Drive
- Large Full Size Feed Hopper
- All Aluminum Hopper and Housing
- Double Interlock Switch
- Plate Speed 420 RPM
- Decoring Screw

OPTIONS

- Maximum Security Correctional Package

ACCESSORIES

- 3-Pack Plates: $\frac{1}{16}$, $\frac{5}{32}$ slicer plates, $\frac{3}{16}$ shredder plate, 1 wall rack
- 6-Pack Plates: $\frac{1}{16}$, $\frac{5}{32}$, $\frac{3}{8}$, $\frac{7}{32}$ slicer plates, $\frac{3}{16}$ shredder plate and $\frac{3}{8}$ dicer plate, 2 wall racks
- 3-Peg Wall Rack: designed to hold three plates for additional plate storage
- Slicer Plates: $\frac{1}{16}$, $\frac{3}{32}$, $\frac{1}{8}$, $\frac{5}{32}$, $\frac{7}{32}$, $\frac{3}{8}$, $\frac{1}{2}$, $\frac{5}{8}$ *; $\frac{3}{16}$ crimping plate
- Julienne Plates: $\frac{3}{32}$, $\frac{3}{16}$, $\frac{5}{16}$
- Dicer Grids: $\frac{9}{32}$, $\frac{3}{8}$, $\frac{1}{2}$, $\frac{5}{8}$ *, $\frac{3}{4}$ *; soft dice $\frac{5}{16}$, $\frac{3}{8}$, $\frac{1}{2}$, $\frac{5}{8}$

*NOTE: The $\frac{5}{8}$ LOW (15Dice-5/8L) Dicer or $\frac{3}{4}$ (15Dice-3/4) Dicer grid should be used with the $\frac{5}{8}$ Slicer plate only.

- Shredder Plates: $\frac{1}{16}$, $\frac{3}{32}$, $\frac{1}{8}$, $\frac{3}{16}$, $\frac{7}{32}$, $\frac{5}{16}$, $\frac{3}{8}$
- Grater Plate: Fine, Extra Fine
- Machine Table: Adjustable height table to hold Food Processor
- Adjustable height stainless steel lug cart
- Stainless steel receiving pan
- Plastic receiving pan

MODELS

- FP150 Continuous Feed Full Hopper Food Processor

Specifications, Details and Dimensions on Inside and Back.

**FP150 FOOD PROCESSOR**

FP150 FOOD PROCESSOR



701 S Ridge Avenue, Troy, OH 45374
1-888-4HOBART • www.hobartcorp.com

SOLUTIONS/BENEFITS

Red OFF, Green ON Button

Ease of use

- Operator can readily recognize

Compact Design

Ease of use, small footprint, reduced labor, increased sanitation and productivity

- Occupies minimal counter space
- Unit and receiving pan fit on 23" deep counter
- Plates remove in seconds
- Feed hopper removes without tools for ease of cleaning
- Produces consistent quality product results in seconds
- Production capability for 14 lbs. per minute

Angled Front

Operator convenience, ease of use

- 50° angle for ease of product loading
- Helps to reduce operator fatigue

Planetary Drive

Performance, reliability

- Helps to prevent stalling under heavy loads
- No rest times required between loads

Large Full Size Feed Hopper

Flexibility, convenience, reduced labor

- Supports processing capabilities for large variety of products
- Design permits continuous cutting of long products
- Eliminates precutting

All Aluminum Hopper and Housing

Durability, sanitation

- Anodized finish resists harsh cleaners
- Easy clean up

Double Interlock Switch

Protection

- Prevents machine from running when pusher plate swings away or is open

Plate Speed of 420 RPM

Product quality and consistency

- Precise cutting and dicing action without bruising or mashing of products

Decorating Screw

Quality, consistency

- Deflects products away from the plate hub for complete processing

3 PAK



1/16" Slicing Plate



5/32" Slicing Plate

6 PAK 3 Pack Plus



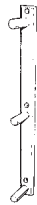
7/32" Slicing Plate



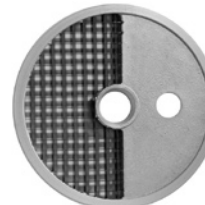
3/8" HD Slicing Plate



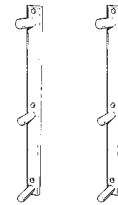
3/16" Shredder Plate



Wall Rack



3/8" Dicing Plate



(2) Wall Racks



701 S Ridge Avenue, Troy, OH 45374
1-888-4HOBART • www.hobartcorp.com

FP150 FOOD PROCESSOR

SPECIFICATIONS

DESIGN: Compact, conveniently designed at 50° angle for operator convenience. Small base occupies minimal counter space. Carrying handle on back of housing designed for ease of moving unit. Housing constructed of anodized aluminum with rubber feet on base to prevent movement or skidding. Removable feed hopper is burnished aluminum. Cylindrical feed hopper, pusher and deflector plate of acetal thermoplastic.

ELECTRICAL: 120/60/1, 3 Conductor power cord (18 AWG) is 6 feet in length.

MOTOR: 4.8 amps. Planetary gear driven operating at 420 rpm output. ½ H.P. with overload protection.

SWITCHES: Easy to operate (red) OFF and (green) ON switch. Pusher plate and feed hopper interlocks.

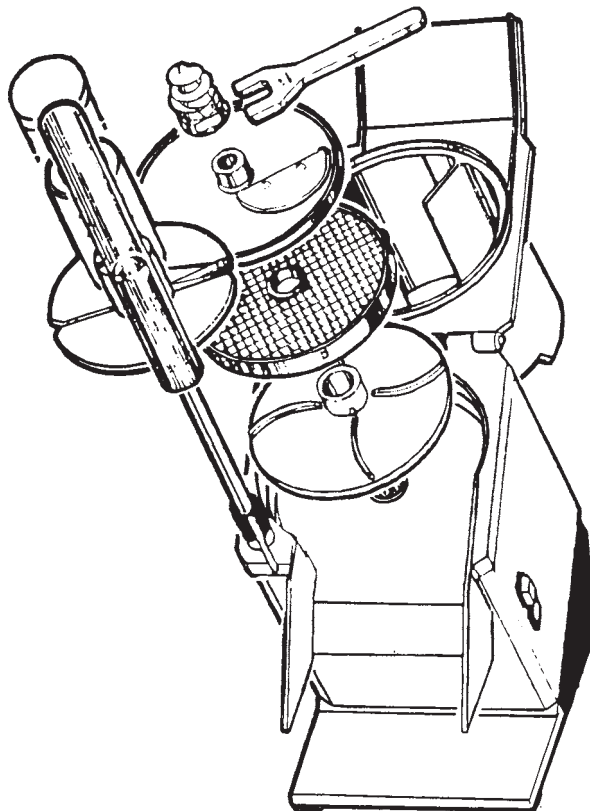
STANDARD EQUIPMENT: Basic unit with deflector plate, decorating screw and cleaning brush.

WARRANTY: Unit has full one-year warranty on parts, labor and mileage against manufacturer's defects. Service contracts are available.

CUTTING TOOLS: Slicer, julienne and dicer plates feature cast aluminum plates with cutlery-grade stainless steel knives. Shredder and grater plates feature stainless steel cutting plates with acetal thermoplastic support hubs.

WEIGHT: Net - 39 lbs. Approximate Shipping - 46 lbs.

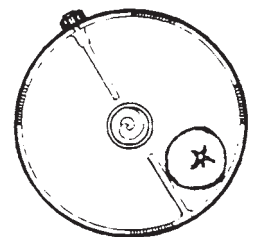
ASSEMBLY PARTS



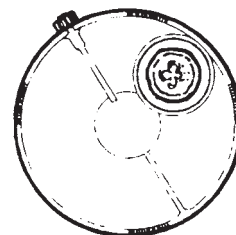
PRODUCT LOADING



Bulk Feeding



Directional for
Definitive Cuts



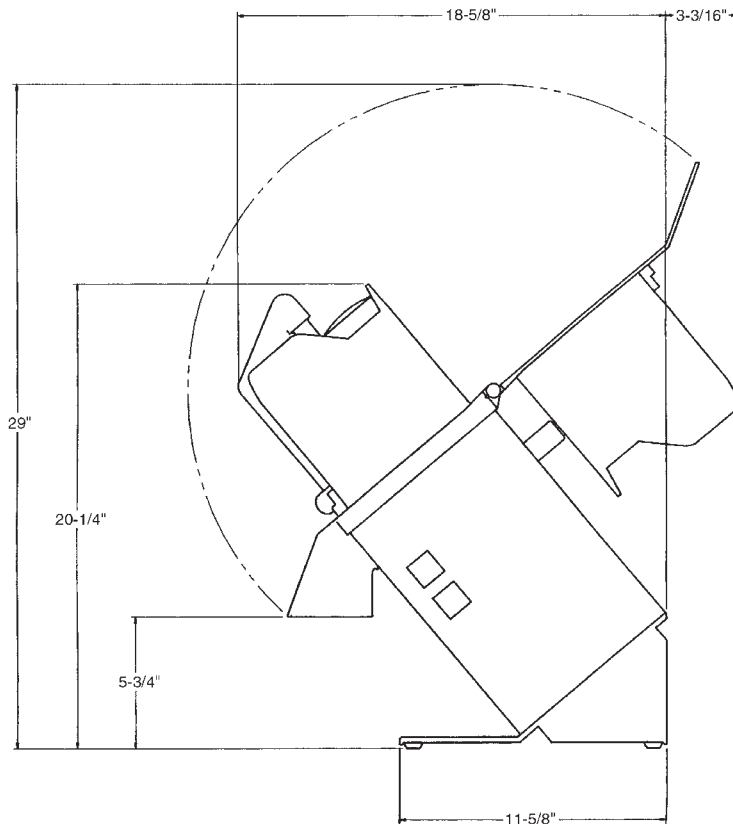
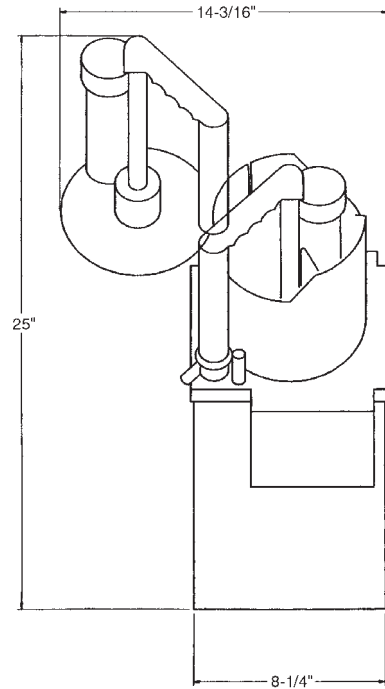
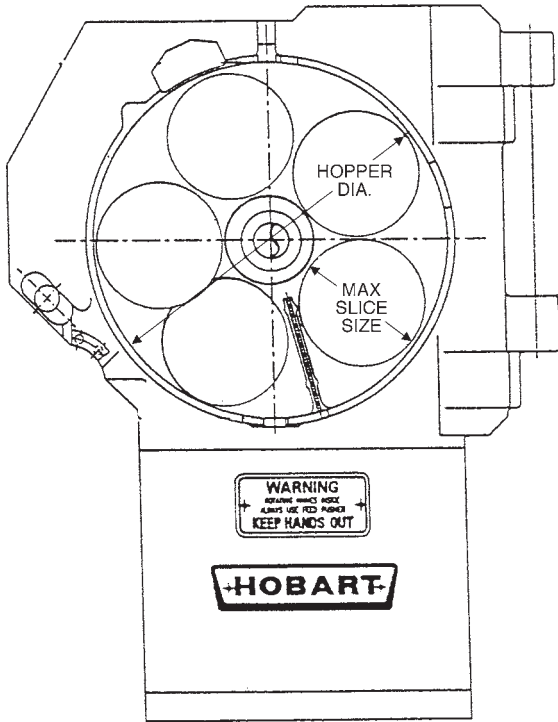
Tube Feeding for
Long Products

FP150 FOOD PROCESSOR

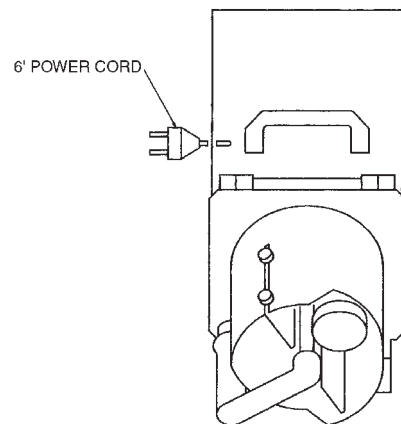


701 S Ridge Avenue, Troy, OH 45374
1-888-4HOBART • www.hobartcorp.com

DETAILS AND DIMENSIONS



FP150	
Hopper Diameter	6 ³ / ₈ "
Maximum Slice Size	2 ¹ / ₂ "
Usable Depth	6"
Feed Tube Diameter	2 ¹ / ₈ "



As continued product improvement is a policy of Hobart, specifications are subject to change without notice.