



701 S Ridge Avenue, Troy, OH 45374  
1-888-4HOBART • www.hobartcorp.com

## HLX SELF-SERVICE SCALE SYSTEM

HOBART

### STANDARD FEATURES

- The Consumer weighs and labels their product in the department at the scale
- Multi-lingual
- Search product by “most popular”, “A to Z”, or PLU lookup.
- Customer can view nutrifact label information on the screen
- Scale automatically returns to start page after idle for 30 seconds or label is taken
- Dual price frequent shopper displaying and labeling
- Displays item information
- Clean, uncluttered interface with crisp graphic images
- Design increases self-service scale use
- Durable self-service post stands available as an accessory.
- Animations for consumer guided operation
- 30 lb. x .01, 12 lb. x .005 dual range capacity
- Zero button
- Email notification for out-of-labels
- Multiple start screen options – Standard (HLX-1SS), Expanded (HLX-1SSE)

### Supervisor Mode

- Onscreen help questions and answers
- USB ports can support external keyboard and/or mouse
- Graphics use a name instead of a number
- Visual display of database records
- System can estimate the number of additional records that may be added to the scale
- User definable default values for item records
- Ability to renumber PLU records
- Database can be backed up to USB drive

### MODEL

#### Wired TCP/IP

<i>Wide (Standard) Cassette</i>	
Standard (CF)	With Hard Drive
<input type="checkbox"/> HLX-1SS	<input type="checkbox"/> HLX-1SSH
<input type="checkbox"/> HLX-1SSE	<input type="checkbox"/> HLX-1SSEH

#### Wireless TCP/IP

<i>Wide (Standard) Cassette</i>	
Standard (CF)	With Hard Drive
<input type="checkbox"/> HLX-1SSW	<input type="checkbox"/> HLX-1SSWH
<input type="checkbox"/> HLX-1SSEW	<input type="checkbox"/> HLX-1SSEWH

### ACCESSORIES

- Self-service stand
- Operator manual
- Supervisor manual

Specifications, Details and Dimensions on Inside and Back.



hlx

HLX SELF-SERVICE SCALE SYSTEM

# HLX SELF-SERVICE SCALE SYSTEM



701 S Ridge Avenue, Troy, OH 45374  
1-888-4HOBART • www.hobartcorp.com

## SELLING FEATURES

IT'S AS EASY AS 1 . . 2 . . 3 . . to operate scale

- Enter code, weigh, and print
- Easy-to-use interface designed similar to current self check out POS systems
- Simple, easy to understand directions

## CONSUMER SAVES TIME IN THE CHECKOUT LINE

Key concern of Store Operations is throughput, how quickly can you check out the consumer. The HLX Self-Service was designed for consumer convenience, speed and ease of use with minimal store employee involvement. The HLX Self-Service enables U-scan options for the produce, bulk foods, & bakery departments.

## SECURITY/LOSS PREVENTION

- Self-Service mode was designed to prevent consumers from tampering with scale.
- Department personnel can override this mode with security access key.

## MERCHANDISING

- High resolution printhead for detailed graphics and smaller bar codes – 203 dpi vs. 144 dpi (8 dots per mm vs. 6 dots per mm)
- Product life and shelf life can be managed by days and/or by hours
- Four programmable graphics per PLU
- Up to 3 levels of frequent shopper price/discount fields
- Expanded text and special message fields have longer length, limited only by label size
- Uses standard file formats: PNG for label graphics, JPEG and GIF for screen graphics, and TTF font formats
- EAN13 Bar Code capability for packages over \$99.99 total price
- Same label stock as Quantum scales

## FREQUENT SHOPPER PROGRAM SUPPORT

- Multiple Price Labeling
- Random Weight items sold per pound
- Random By Count/Piece sold by each

## COMMUNICATIONS

- Functions as a web browser: simply plug into your wired or wireless connection to access the internet or your own custom web site
- 10/100 wired Ethernet support
- 802.11 wireless (RF card not included)
- System firmware can be upgraded via a USB drive or over a local or wide area network via FTP server
- Remote access via an IP address over a local or wide-area network using Internet Explorer
- Compatible with current Ultima and Quantum Scale Management Programs using an Ethernet connection

## HARDWARE

- PC based architecture
- AMD LX800 processor
- Standard laptop RAM, 256 MB of memory
- Standard 2 GB CompactFlash for application and database (no need for battery backup)
- PC card bus slot for wireless card (optional)
- 1 PCI internal slot for future expansion
- USB 2.0 internal port for peripherals and future expansion
- Two external USB 2.0 ports to support external keyboard/mouse for easy data entry

## SOFTWARE

- Microsoft® Windows® XP Embedded Operating System
  - Components: Internet Explorer
  - Calculator
  - Notepad
  - Windows Explorer
  - Time Synchronization
  - Windows Media Player
- Java™ Virtual Machine (JVM)
- General Software, Inc. - Bios
- Foxit™ Reader
- On-screen keyboard

Copyright © 2007 General Software Inc. All Rights Reserved



701 S Ridge Avenue, Troy, OH 45374  
1-888-4HOBART • www.hobartcorp.com

# HLX SELF-SERVICE SCALE SYSTEM

## SERVICEABILITY

- Every operator/supervisor screen is a web page that can be accessed remotely via Internet Explorer
- Diagnostic information can be retrieved; scale configuration and PLU database can be verified or modified
- Monitor real-time use of the scale
- System firmware can be upgraded via USB drive or network server
- See statistics on the system (real time updates of mem free on compact flash, RAM, RamDisk, EVM)
- Automatically send ALERT emails based on configured rules, i.e., out of labels, cassette disengaged, etc.
- Onscreen help questions and answers
- Easy access to all major components
- New take-up hub with non-removable key
- Change wireless card without removing scale housing
- Non-volatile database
- Service log, track changes by entering changes into log

## SPECIFICATIONS

### Platter:

14" wide x 15" deep

### Weigher Capacity:

0 lbs. - 12 lbs. x 0.005

12 lbs. - 30 lbs. x 0.01

### Pricing Capacity:

Up to 999.99 in steps of .01

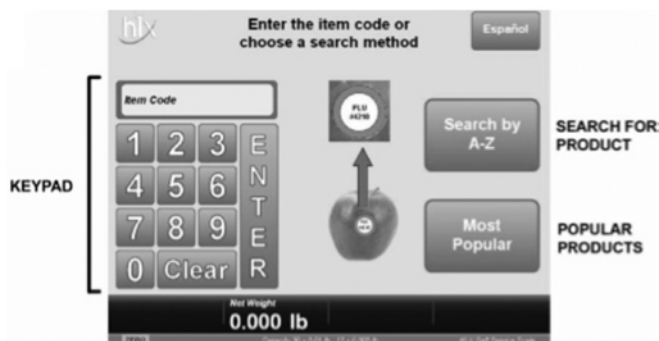
### Electrical:

120 volts, 60 Hz, single phase, 1.5 amps, 150 watts. 9 foot standard cord cap with ground type plug furnished.

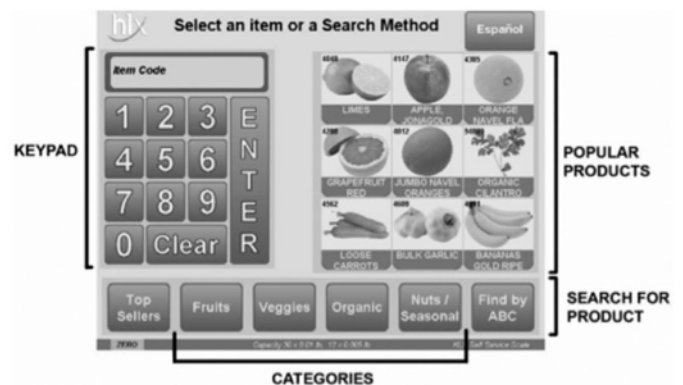
### Nationwide Service:

Prompt Hobart Service provided for your: Bakery, Deli, Seafood, Produce, Floral, Photo, Food Service, Sushi, Coffee, Juice Bar, Service Meat and other perishable departments enables you to serve your customers quickly.

**NOTICE:** Fluorescent lamp in display panel contains a small amount of mercury. Please dispose of according to local, state or federal laws.



Standard Option



Expanded Option

# HLX SELF-SERVICE SCALE SYSTEM

**HOBART**

701 S Ridge Avenue, Troy, OH 45374  
1-888-4HOBART • www.hobartcorp.com

## LABELS AND PRINTING OPTIONS

### ■ LABELS

Cassette label loading system provides fast and efficient change of label stock or easy label size change for merchandising flexibility.

### ■ PRINTING

The HLX thermal printhead requires no ink or ribbon.

Preprinted labels may be printed with a customer logo and/or other information.

When using blank labels, the HLX can be set up to print all of the necessary information including store logo.

Print fields available:

- Store Name & Address – 2 lines
- Bar Code – Portrait Top or Bottom
- PLU Description – Up to 4 lines
- FDA Nutri-Data Template
- Expanded Text – Limited only by label size
- Net Weight – (1/4' Format) in Ounces, Pounds or Kilograms

- Current Time – Shelf Life labels
- Tare
- Operator ID – Custom labels only
- Operator Name – Custom labels only
- Special Message
- Four Merchandising Graphics
- Sell-by
- Packed-on
- Product Life
- Freeze-by
- Weight/Count
- Unit Price
- Total Price
- Store ID
- Customer Store Graphic Logo

### ■ NETWORKING

- Interfaces with scale management software such as:

Invatron's PLUM



ADC's Interscale



Genesis Software





701 S Ridge Avenue, Troy, OH 45374  
1-888-4HOBART • www.hobartcorp.com

# HLX SELF-SERVICE SCALE SYSTEM

## LABELS AND PRINTING OPTIONS

### PORTRAIT FORMAT

The HLX will accept 1.5" and 2.25" wide label stock in standard lengths of:

- 1"
- 1½"
- 1¾"
- 2"
- 2⅜"
- 2½"
- 3"
- 3½"
- 4"
- 4½"
- 5"
- 5½"
- 6"
- 6½"
- 7"
- 7½"
- 8"
- 8½"
- 9"
- 9½"
- 10"

2¼" x 2⅜" Label

2¼" x 3" Label

2¼" x 4½" Label

2¼" x 3½" Label

# HLX SELF-SERVICE SCALE SYSTEM



701 S Ridge Avenue, Troy, OH 45374  
1-888-4HOBART • www.hobartcorp.com

## FONTS

Abalone

Arial

*Arial Italic*

**Arial Bold**

***Arial Bold Italic***

Arial Narrow

Centurion

Chiller

Comic Sans MS

**Comic Sans MS Bold**

Courier New

*Courier New Italic*

**Courier New Bold**

***Courier New Bold Italic***

Everest

Franklin Gothic Medium

*Franklin Gothic Medium Italic*

Georgia

*Georgia Italic*

**Georgia Bold**

***Georgia Bold Italic***

Gravilex

Hauteclaire

Hobart

**Hobart Bold**

Hobart Plain

**Impact**

London

Lucida Console

Lucida Sans Unicode

∩ ∨ × ◊ ◻ ▲

Microsoft Sans Serif

Palatino Linotype

*Palatino Linotype Italic*

**Palatino Linotype Bold**

***Palatino Linotype Bold Italic***

Patrician

**QUANTUM**

Sp

Sp Large

Tahoma

**Tahoma Bold**

Tancred

Times New Roman

*Times New Roman Italic*

**Times New Roman Bold**

***Times New Roman Bold Italic***

Trebuchet MS

*Trebuchet MS Italic*

**Trebuchet MS Bold**

***Trebuchet MS Bold Italic***

**Ultima**

Verdana

*Verdana Italic*

**Verdana Bold**

***Verdana Bold Italic***

▶ 📦 🚲 📄 ⓘ ● ■

⊕ ✕ ■ ¶ ⚡ ⚡ ✕ ✕ ⚡ ⚡



701 S Ridge Avenue, Troy, OH 45374  
1-888-4HOBART • www.hobartcorp.com

# HLX SELF-SERVICE SCALE SYSTEM

## LABELS AND PRINTING OPTIONS

STANDARD MERCHANDISING GRAPHICS or DESIGN YOUR OWN – Hobart will create them.



**SAFE HANDLING INSTRUCTIONS**  
THIS PRODUCT WAS PREPARED FROM INSPECTED AND PASSED MEAT AND/OR POULTRY. SOME FOOD PRODUCT MAY CONTAIN BACTERIA THAT COULD CAUSE ILLNESS IF THE PRODUCT IS MISHANDLED OR COOKED IMPROPERLY. FOR YOUR PROTECTION, FOLLOW THESE SAFE HANDLING INSTRUCTIONS.

KEEP REFRIGERATED OR FROZEN. THAW IN REFRIGERATOR OR MICROWAVE.

COOK THOROUGHLY

KEEP RAW MEAT AND POULTRY SEPARATE FROM OTHER FOODS. WASH WORKING SURFACES (INCLUDING CUTTING BOARDS), UTENSILS, AND HANDS AFTER TOUCHING RAW MEAT OR POULTRY.

KEEP HOT FOODS HOT. REFRIGERATE LEFT-OVERS IMMEDIATELY OR DISCARD.



**SAFE HANDLING INSTRUCTIONS**  
THIS PRODUCT WAS PREPARED FROM INSPECTED AND PASSED MEAT AND/OR POULTRY. SOME FOOD PRODUCTS MAY CONTAIN BACTERIA THAT COULD CAUSE ILLNESS IF THE PRODUCT IS MISHANDLED OR COOKED IMPROPERLY. FOR YOUR PROTECTION, FOLLOW THESE SAFE HANDLING INSTRUCTIONS.

KEEP REFRIGERATED OR FROZEN. THAW IN REFRIGERATOR OR MICROWAVE.

KEEP RAW MEAT AND POULTRY SEPARATE FROM OTHER FOODS. WASH WORKING SURFACES (INCLUDING CUTTING BOARDS), UTENSILS, AND HANDS AFTER TOUCHING RAW MEAT OR POULTRY.

COOK THOROUGHLY

KEEP HOT FOODS HOT. REFRIGERATE LEFTOVERS IMMEDIATELY OR DISCARD.



**SAFE HANDLING INSTRUCTIONS**  
THIS PRODUCT WAS PREPARED FROM INSPECTED AND PASSED MEAT AND/OR POULTRY. SOME FOOD PRODUCTS MAY CONTAIN BACTERIA THAT COULD CAUSE ILLNESS IF THE PRODUCT IS MISHANDLED OR COOKED IMPROPERLY. FOR YOUR PROTECTION, FOLLOW THESE SAFE HANDLING INSTRUCTIONS:

KEEP REFRIGERATED OR FROZEN. THAW IN REFRIGERATOR OR MICROWAVE.

KEEP RAW MEAT AND POULTRY SEPARATE FROM OTHER FOODS. WASH WORKING SURFACES (INCLUDING CUTTING BOARDS), UTENSILS, AND HANDS AFTER TOUCHING RAW MEAT OR POULTRY.

COOK THOROUGHLY.

KEEP HOT FOODS HOT. REFRIGERATE LEFTOVERS IMMEDIATELY OR DISCARD.

# THANK YOU!



*Thank You*  
For Your Patronage



1/4 IN.  
LEAN  
TRIM

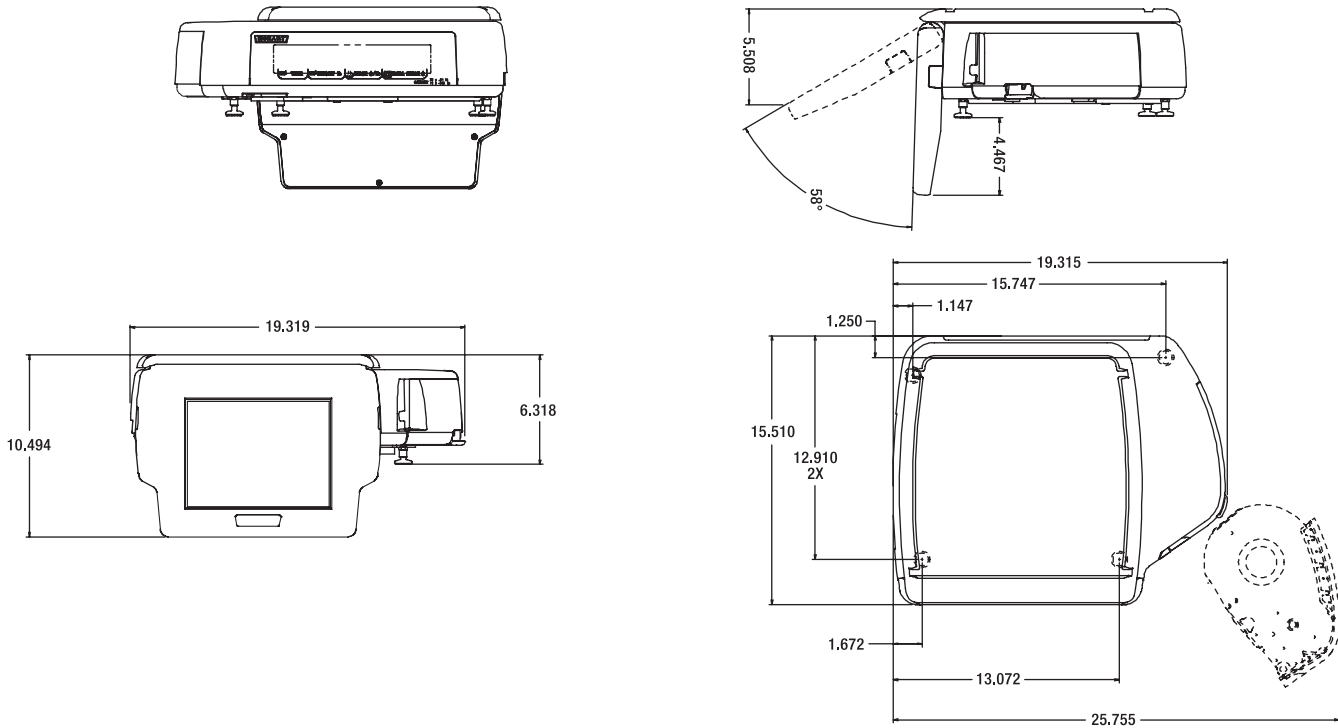


# HLX SELF-SERVICE SCALE SYSTEM

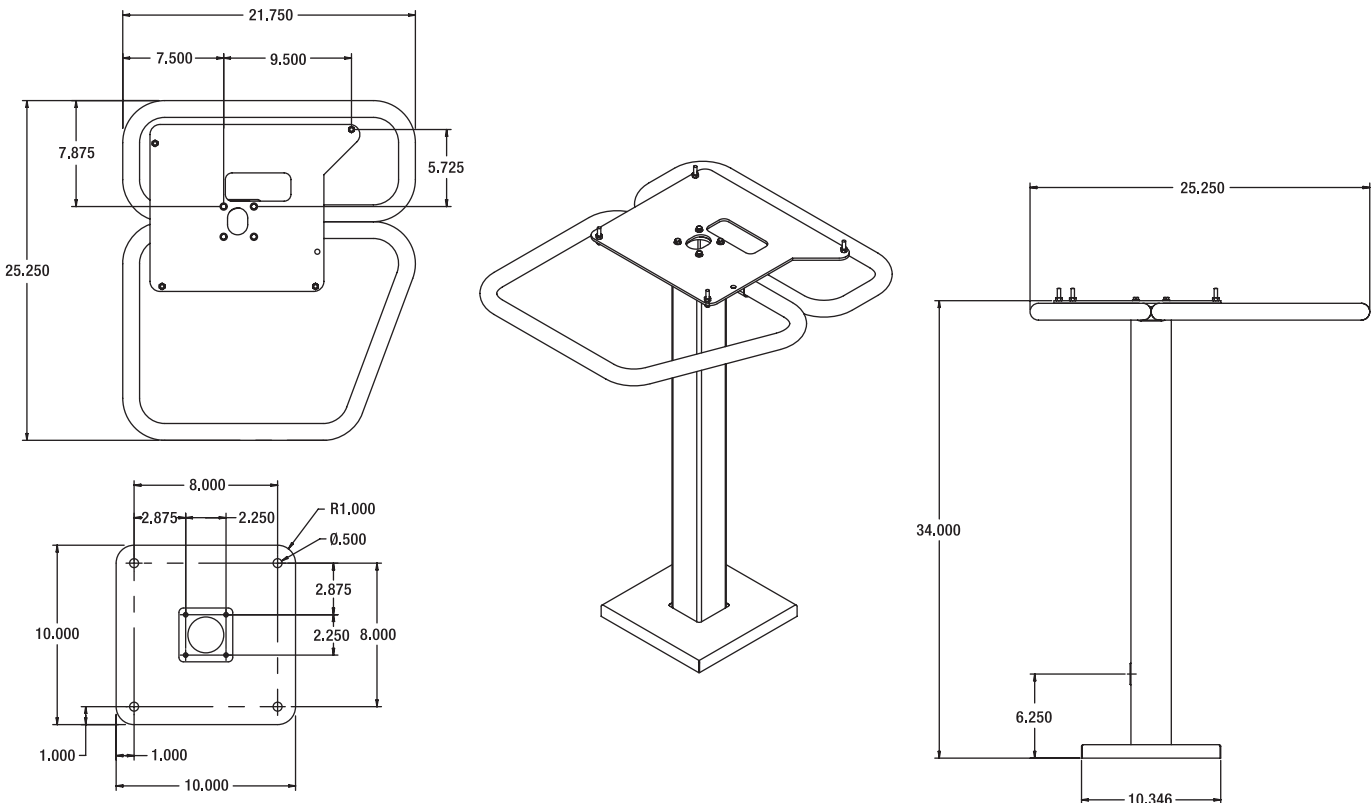


701 S Ridge Avenue, Troy, OH 45374  
1-888-4HOBART • www.hobartcorp.com

## DETAILS AND DIMENSIONS – SCALE



## DETAILS AND DIMENSIONS – SELF-SERVICE STAND



As continued product improvement is a policy of Hobart, specifications are subject to change without notice.