

**HOBART**701 S Ridge Avenue, Troy, OH 45374  
1-888-4HOBART • www.hobartcorp.com**ACCESS SEMI-AUTOMATIC  
WRAPPING SYSTEM****HOBART****STANDARD FEATURES**

- Semi-automatic wrapping system - operator places package into the Access and weighing and wrapping is done automatically. The operator then hand-applies the label to the finished package.
- Integrated scale reduces floor space requirements
- 2 rolls of film to minimize film usage
- Auto off/on timer for heated sealer belt
- Hose-downable just like the meat saw or mixer grinder
- System automatically shuts down when not in use
- System allows for remote diagnostics/monitoring
- Package range up to 10" L X 16" W X 6" H
- Enlarged scale intake for manual weighing of turkeys and whole hams

**ACCESSORIES**

- SHELF-ACCESS Folding Side Shelf (Left or Right)
- RBG-2 Rotary Bin Gravity with Casters

**MODELS**

- AWS-1LR Access Semi-Automatic Wrapping System

**OPTIONS AT EXTRA COST**

- EPP-1 Access PrePack Printer
- EPCP-1 Access PrePack Control Panel

Specifications, Details and Dimensions on Inside and Back.

**ACCESS SEMI-AUTOMATIC WRAPPING SYSTEM**

# ACCESS SEMI-AUTOMATIC WRAPPING SYSTEM



701 S Ridge Avenue, Troy, OH 45374  
1-888-4HOBART • www.hobartcorp.com

## SPECIFICATIONS

### WEIGHING

**Capacity** – 30 lbs. (Manual) 15 lbs. (Automatic mode)  
**Weighing increments** – .01 lb  
**Minimum weight to print** – .20 lb

### WRAPPING

**Package Size Width** – 4.5" min, 16.0" max  
**Length** – 4.5" min, 10.1" max  
**Height** – .4" min, 6.0" max  
**Wrapping Speed** – Maximum of 30 packages per minute  
**Number of Film Rolls** – 2

**Type of Film Used** – PVC

**Film Thickness** – 60 gauge min, 100 gauge max

**Film Core Size** – 3" I.D.

**Film Maximum Diameter** – 9.5" O.D.

**Film Widths** – 13" min, 20" max

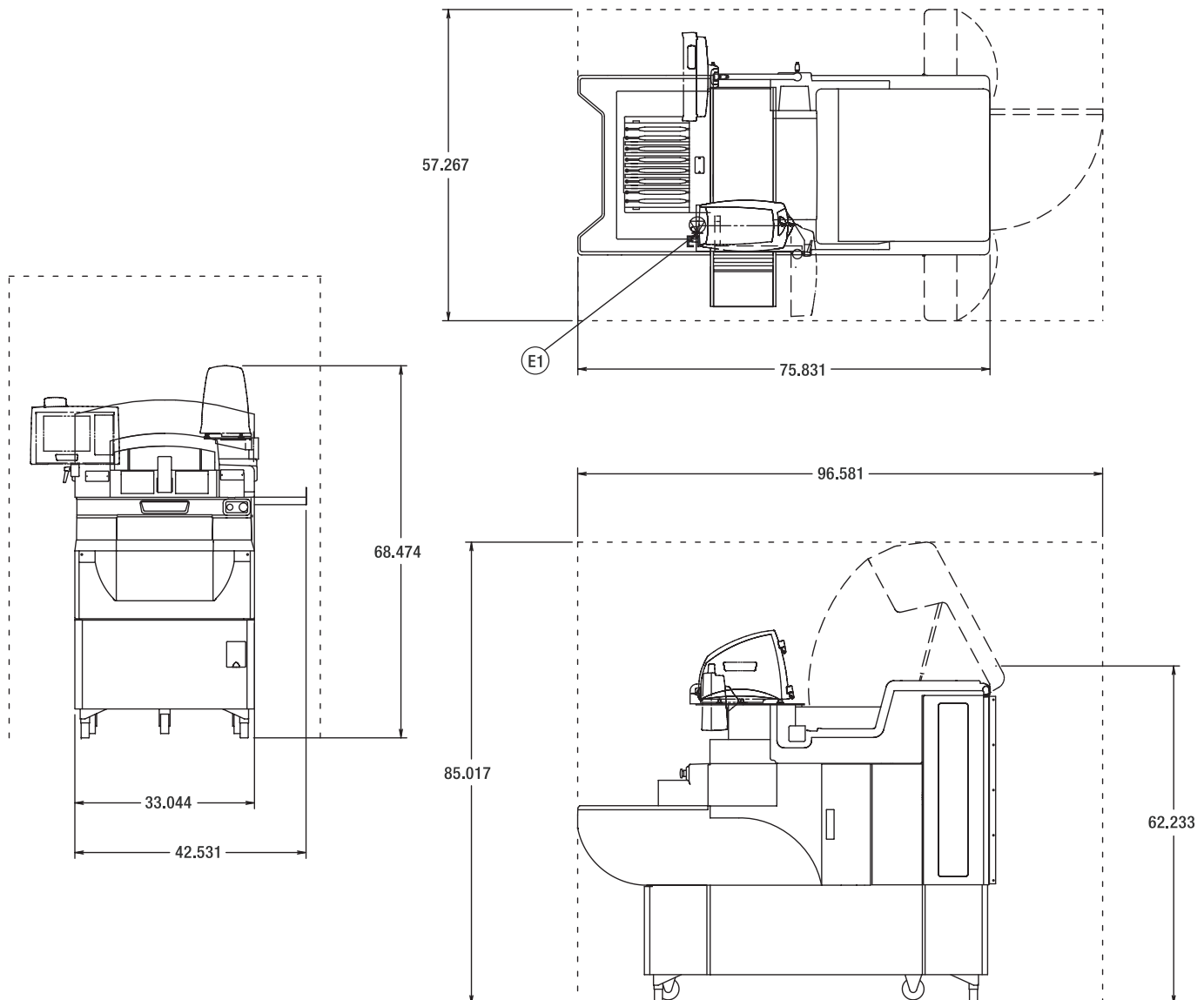
### ELECTRICAL

120/208-240 (4 wire-2 hot lines, neutral & ground) 60 cycle, 1 phase, 20 amps

### SHIPPING WEIGHT

Approximately 1,300 lbs.

## DETAILS AND DIMENSIONS



As continued product improvement is a policy of Hobart, specifications are subject to change without notice.