

HOBART701 S Ridge Avenue, Troy, OH 45374
1-888-4HOBART • www.hobartcorp.com**SD100
SERVICE SCALE****HOBART****STANDARD FEATURES**

- Customer ready file load includes 2 miscellaneous PLU's, 9 label formats and 1 custom safe handling logo
- Backlit LCD displays
- PLU, Group, and Operator Totals (printed on label stock)
- Weighing capability - 30 Lb. x 0.01
- Barcode types - EAN, UPC
- Up to 20 operators on the same network
- Cost saving "rewind" printer
- Up to 3,000 characters of text
- 400 character scrolling customer message
- 40 character product description
- COOL ready

MODEL

- SD100 – Service Scale

Specifications, Details and Dimensions on Inside and Back.

**SD100 FEATURES****Weigh Types**

- Wait on customer
- Production entry
- Prepackaged products

Data Memory

- Up to 6,000 PLUs, up to 5 custom logos

Programmability

- Manual entry with keypad or with optional DX50 software via USB or Ethernet communication

Communications

- Ethernet
- 2 USB ports

Operators Console

- 42 programable keys, 23 tactil keypad, audible beep, envelope pocket for custom overlays, wipe clean design
- Up to 20 operators from the same network

Networking

- Up to 10 scales

OPTIONAL FEATURES

- DX50 scale configuration software

**SD100 SERVICE SCALE**

SD100 SERVICE SCALE



701 S Ridge Avenue, Troy, OH 45374
1-888-4HOBART • www.hobartcorp.com

LABEL EXAMPLES


Main market
From us to you!

< 200001 608292 >

DESCRIPTION
DESCRIPTION

Packed On		Sell By
08-28-08		08-31-08

Net Wt/Ct	Unit Price	Total Price
0.83 lb	\$ 9.99	\$ 8.29

HOBART CORP.
TROY, OH 45374

FORMAT 0, 1.75"L


Main market
From us to you!

< 200002 608291 >

DESCRIPTION
DESCRIPTION

INGREDIENTS:

KEEP REFRIGERATED

		Sell By
		08-31-08

Net Wt/Ct	Unit Price	Total Price
0.83 lb	\$ 9.99	\$ 8.29

HOBART CORP.
TROY, OH 45374

FORMAT 1, 2.375"L


Main market
From us to you!

< 200003 608290 >

DESCRIPTION
DESCRIPTION

SAFE HANDLING INSTRUCTIONS

THIS PRODUCT WAS PREPARED FROM INSPECTED AND PASSED MEAT AND/OR POULTRY. SOME FOOD PRODUCTS MAY CONTAIN BACTERIA THAT COULD CAUSE ILLNESS IF THE PRODUCT IS MISHANDLED OR COOKED IMPROPERLY. FOR YOUR PROTECTION, FOLLOW THESE SAFE HANDLING INSTRUCTIONS.

KEEP REFRIGERATED OR FROZEN. THAW IN REFRIGERATOR OR MICROWAVE.

KEEP RAW MEAT AND POULTRY SEPARATE FROM OTHER FOODS. WASH WORKING SURFACES (INCLUDING CUTTING BOARDS), UTENSILS, AND HANDS AFTER TOUCHING RAW MEAT OR POULTRY.

KEEP HOT FOODS HOT. REFRIGERATE LEFTOVERS IMMEDIATELY OR DISCARD.

COOK THOROUGHLY

KEEP REFRIGERATED

		Sell By
		08-31-08

Net Wt/Ct	Unit Price	Total Price
0.83 lb	\$ 9.99	\$ 8.29

HOBART CORP.
TROY, OH 45374

FORMAT 2, 3.00"L


Main market
From us to you!

< 200004 405690 >

DESCRIPTION
DESCRIPTION

INGREDIENTS:


KEEP REFRIGERATED

Packed On		Sell By
08-28-08		08-31-08

Net Wt/Ct	Unit Price	Total Price
0.57 lb	\$ 9.99	\$ 5.69

HOBART CORP.
TROY, OH 45374

FORMAT 3, 3.00"L


Main market
From us to you!

< 200005 509991 >

DESCRIPTION
DESCRIPTION


INGREDIENTS:

Net Wt/Ct	Unit Price	Total Price
1	\$ 9.99	\$ 9.99

Net Wt 1 lb 0 oz (453 g)

HOBART CORP.
TROY, OH 45374

FORMAT 4, 3.00"L


Main market
From us to you!

< 200006 608297 >

DESCRIPTION
DESCRIPTION

INGREDIENTS:

KEEP REFRIGERATED

Packed On		Sell By
08-28-08		08-31-08

Net Wt/Ct	Unit Price	Total Price
0.83 lb	\$ 9.99	\$ 8.29


HOBART CORP.
TROY, OH 45374

FORMAT 5, 4.50"L



701 S Ridge Avenue, Troy, OH 45374
1-888-4HOBART • www.hobartcorp.com

SD100 SERVICE SCALE



Main market
From us To you!

DESCRIPTION
DESCRIPTION
INGREDIENTS:

1008 Y00U4UJN
110
111
112
113
114
115
116
117
118
119
120
121
122
123
124
125
126
127
128
129
130
131
132
133
134
135
136
137
138
139
140
141
142
143
144
145
146

Net Wt/Ct	Unit Price	Total Price
1	\$ 9.99	\$ 9.99

Net Wt 1 lb 0 oz (453 g)

HOBART CORP.
TROY, OH 45374

FORMAT 6, 4.50"L


PORTRAIT FORMAT

- 2.25" x 1.75"
- 2.25" x 2.375"
- 2.25" x 3.00"
- 2.25" x 4.50"
- 2.25" x 6.00"
- 2.25" x Continuous

Other die cut lengths (between 1.57" x 6.3") can be custom ordered – contact your label supplier for price quote

LANDSCAPE FORMAT

Contact your sales rep for more information



Main market
From us To you!

DESCRIPTION
DESCRIPTION
INGREDIENTS

1008 Y00U4UJN
110
111
112
113
114
115
116
117
118
119
120
121
122
123
124
125
126
127
128
129
130
131
132
133
134
135
136
137
138
139
140
141
142
143
144
145
146

Net Wt 1 lb 0 oz (453 g)

Packed On	KEEP REFRIGERATED	Sell By
08-28-08		08-31-08

Net Wt/Ct	Unit Price	Total Price
1	\$ 9.99	\$ 9.99

FORMAT 7, 6.00"L



Main market
From us To you!

DESCRIPTION
DESCRIPTION

LOT NUMBER: 789999 * BORN IN: MEXICO
* RAISED IN: USA * PROCESSED IN: USA.

SAFE HANDLING INSTRUCTIONS
THIS PRODUCT WAS PREPARED FROM INSPECTED AND PASSED MEAT AND/OR POULTRY. SOME FOOD PRODUCTS MAY CONTAIN BACTERIA THAT COULD CAUSE ILLNESS IF THE PRODUCT IS MISHANDLED OR COOKED IMPROPERLY. FOR YOUR PROTECTION, FOLLOW THESE SAFE HANDLING INSTRUCTIONS.
KEEP REFRIGERATED OR FROZEN. THAW IN REFRIGERATOR OR MICROWAVE.
KEEP RAW MEAT AND POULTRY SEPARATE FROM OTHER FOODS. WASH WORKING SURFACES (INCLUDING CUTTING BOARDS), UTENSILS, AND HANDS AFTER TOUCHING RAW MEAT OR POULTRY.
KEEP HOT FOODS HOT. REFRIGERATE LEFTOVERS IMMEDIATELY OR DISCARD.
COOK THOROUGHLY

KEEP REFRIGERATED | Sell By
08-31-2008

Net Wt/Ct	Unit Price	Total Price
0.85 lb	\$ 9.99	\$ 8.49

FORMAT 8, 3.50"L

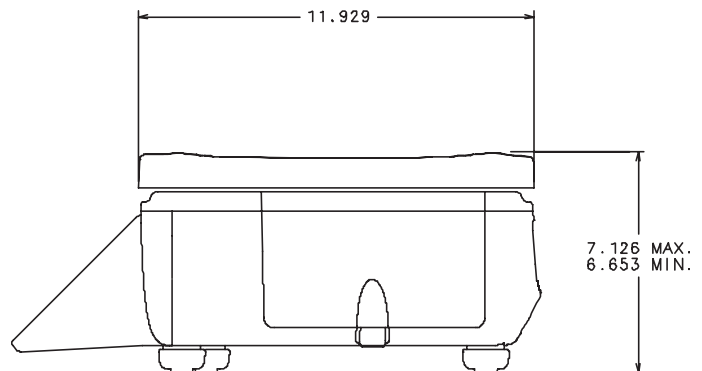
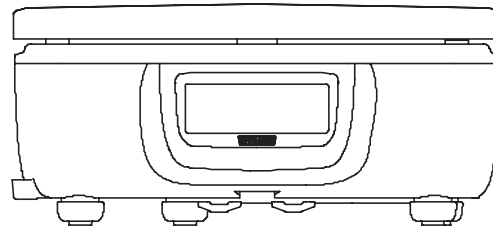
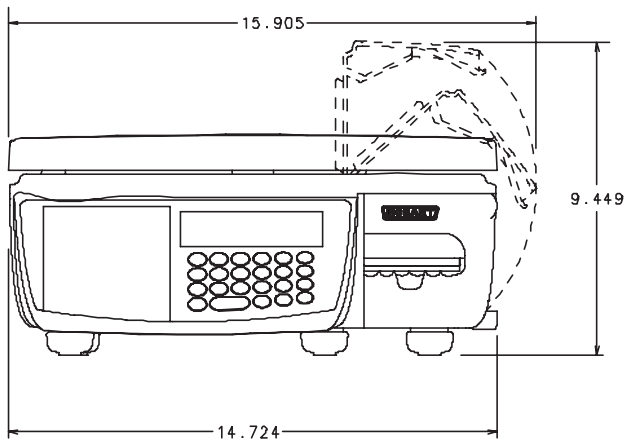
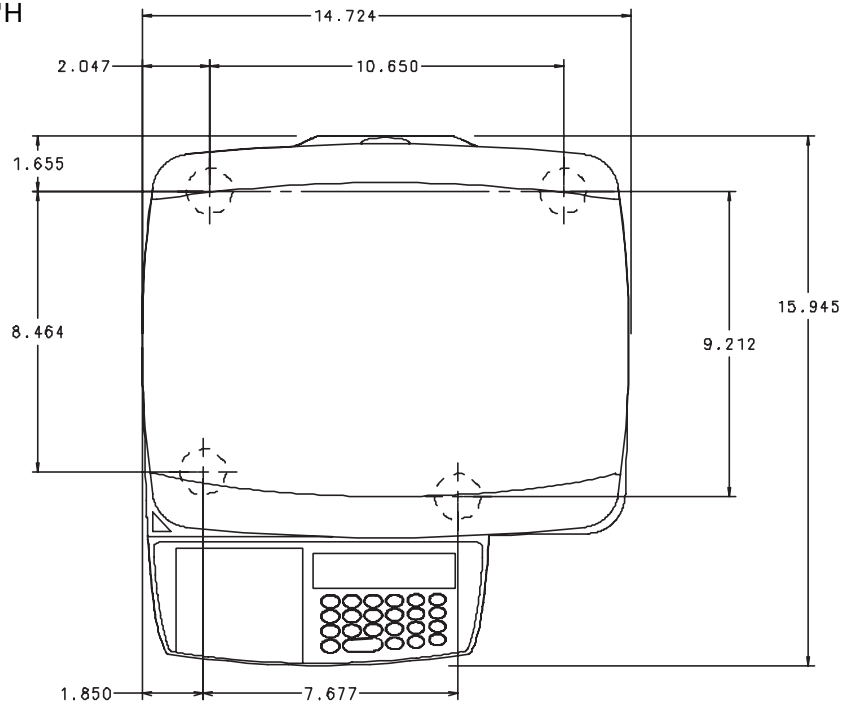
SD100 SERVICE SCALE



701 S Ridge Avenue, Troy, OH 45374
1-888-4HOBART • www.hobartcorp.com

DETAILS AND DIMENSIONS

15.94"L x 14.88"W x 6.3"H



NOTE:

1. ELECTRICAL SPECIFICATIONS: 120 VOLTS, 60 HERTZ, 1 PHASE.
2. SHIPPING WEIGHT: 20 LBS.

As continued product improvement is a policy of Hobart, specifications are subject to change without notice.