



701 S Ridge Avenue, Troy, OH 45374
1-888-4HOBART • www.hobartcorp.com

HLX SCALE SYSTEM

HOBART

STANDARD FEATURES

Operator Mode

- Large color touch screen display (10.4")
- Search database by description or PLU number
- Flashkeys can be laid out by categories or classes
- Go-to-keys allows user to jump immediately to a location instead of going through a menu tree
- Product and shelf life by day and/or hour
- Programmable display of operator viewable fields
- Operator notes and product notes
- Onscreen help questions and answers
- Pop-up alphanumeric keyboard/numeric keypad

Supervisor Mode

- Onscreen help questions and answers
- USB ports can support external keyboard and/or mouse
- Graphics use a name instead of a number
- Visual display of database records
- System can estimate the number of additional records that may be added to the scale
- COOL records can be created on the scale
- User definable default values for item records
- Ability to renumber PLU records
- Database can be backed up to USB drive
- Database can be named to store more than one database to USB drive

MODEL

Wired TCP/IP

Wide (Standard) Cassette		
Standard	With RFID	With Hard Drive
<input type="checkbox"/> HLX-1	<input type="checkbox"/> HLX-1R	<input type="checkbox"/> HLX-1H
<input type="checkbox"/> HLXP-1	<input type="checkbox"/> HLXP-1R	<input type="checkbox"/> HLXP-1H

Wireless TCP/IP

Wide (Standard) Cassette		
Standard	With RFID	With Hard Drive
<input type="checkbox"/> HLX-1W	<input type="checkbox"/> HLX-1WR	<input type="checkbox"/> HLX-1WH
<input type="checkbox"/> HLXP-1W	<input type="checkbox"/> HLXP-1WR	<input type="checkbox"/> HLXP-1WH

ACCESSORIES

- RFID upgrade kit
- TCP/IP card bus wireless adapter
- RFID operator bracelets
- Operator manual
- Supervisor manual

Specifications, Details and Dimensions on Inside and Back.



hlx

HLX SCALE SYSTEM

HLX SCALE SYSTEM

HOBART701 S Ridge Avenue, Troy, OH 45374
1-888-4HOBART • www.hobartcorp.com

MERCHANDISING

- High resolution printhead for detailed graphics and smaller bar codes – 203 dpi vs. 144 dpi (8 dots per mm vs. 6 dots per mm)
- Product life and shelf life can be managed by days and/or by hours
- Four programmable graphics per PLU
- Up to 3 levels of frequent shopper price/discount fields
- Operator and Product notes
- Expanded text and special message fields have longer length, limited only by label size
- Uses standard file formats: PNG for label graphics, JPEG and GIF for screen graphics, and TTF font formats
- EAN13 Bar Code capability for packages over \$99.99 total price
- Same label stock as Quantum scales

COMMUNICATIONS

- Functions as a web browser: simply plug into your wired or wireless connection to access the internet or your own custom web site
- 10/100 wired Ethernet support
- 802.11 wireless (RF card not included)
- System firmware can be upgraded via a USB drive or over a local or wide area network via FTP server
- Remote access via an IP address over a local or wide-area network using Internet Explorer
- Compatible with current Ultima and Quantum Scale Management Programs using an Ethernet connection

HARDWARE

- PC based architecture
- AMD LX800 processor
- Standard laptop RAM, 256 MB of memory
- Standard 2 GB CompactFlash for application and database (no need for battery backup)
- PC card bus slot for wireless card (optional)
- 1 PCI internal slot for future expansion
- USB 2.0 internal port for peripherals and future expansion
- Two external USB 2.0 ports to support external keyboard/mouse for easy data entry

SOFTWARE

- Microsoft® Windows® XP Embedded Operating System

Components: Internet Explorer
Outlook Express
Calculator
Notepad
Windows Explorer
Time Synchronization
Windows Media Player

- Java™ virtual machine (JVM)
- General Software, Inc. - Bios
- Foxit™ Reader
- On-screen keyboard



Copyright © 2007 General Software Inc. All Rights Reserved



701 S Ridge Avenue, Troy, OH 45374
1-888-4HOBART • www.hobartcorp.com

HLX SCALE SYSTEM

SERVICEABILITY

- Every operator/supervisor screen is a web page that can be accessed remotely via Internet Explorer
- Diagnostic information can be retrieved; scale configuration and PLU database can be verified or modified
- Monitor real-time use of the scale
- System firmware can be upgraded via USB drive or network server
- See statistics on the system (real time updates of mem free on compact flash, RAM, RamDisk, EVM)
- Automatically send ALERT emails based on configured rules, i.e., out of labels, cassette disengaged, etc.
- Onscreen help questions and answers
- Easy access to all major components
- New take-up hub with non-removable key
- Change wireless card without removing scale housing
- Non-volatile database
- Service log, track changes by entering changes into log

SPECIFICATIONS

Platter:

14" wide x 15" deep

Weigher Capacity:

0 lbs. - 12 lbs. x 0.005

12 lbs. - 30 lbs. x 0.01

Pricing Capacity:

Up to 999.99 in steps of .01

Electrical:

120 volts, 60 Hz, single phase, 1.5 amps, 150 watts. 9 foot standard cord cap with ground type plug furnished.

Nationwide Service:

Prompt Hobart Service provided for your: Bakery, Deli, Seafood, Produce, Floral, Photo, Food Service, Sushi, Coffee, Juice Bar, Service Meat and other perishable departments enables you to serve your customers quickly.

NOTICE: Fluorescent lamp in display panel contains a small amount of mercury. Please dispose of according to local, state or federal laws.

LABELS AND PRINTING OPTIONS

■ LABELS

Cassette label loading system provides fast and efficient change of label stock or easy label size change for merchandising flexibility.

■ PRINTING

The HLX thermal printhead requires no ink or ribbon.

Preprinted labels may be printed with a customer logo and/or other information.

When using blank labels, the HLX can be set up to print all of the necessary information including store logo.

Print fields available:

- Store Name & Address – 2 lines
- Bar Code – Portrait Top or Bottom
- PLU Description – Up to 4 lines
- FDA Nutri-Data Template
- Expanded Text – Limited only by label size
- Net Weight – (1/4' Format) in Ounces, Pounds or Kilograms

- Current Time – Shelf Life labels
- Tare
- Operator ID – Custom labels only
- Operator Name – Custom labels only
- Special Message
- Four Merchandising Graphics
- Sell-by
- Packed-on
- Product Life
- Freeze-by
- Weight/Count
- Unit Price
- Total Price
- Store ID
- Customer Store Graphic Logo

■ NETWORKING

- Interfaces with scale management software such as:

Invatron's PLUM



ADC's Interscale



Genesis Software





701 S Ridge Avenue, Troy, OH 45374
1-888-4HOBART • www.hobartcorp.com

HLX SCALE SYSTEM

LABELS AND PRINTING OPTIONS

PORTRAIT FORMAT

The HLX will accept 1.5" and 2.25" wide label stock in standard lengths of:

- 1"
- 1½"
- 1¾"
- 2"
- 2⅜"
- 2½"
- 3"
- 3½"
- 4"
- 4½"
- 5"
- 5½"
- 6"
- 6½"
- 7"
- 7½"
- 8"
- 8½"
- 9"
- 9½"
- 10"

Packed On Sep 27, 07	Best Before Sep 27, 07	Sell By Sep 27, 07
Net Wt/Ct 1.260 lb	Unit Price \$3.99/lb	Total Price \$5.03

HOBART SCALES
TROY, OH 45374

2¼" x 2⅜" Label

SAFE HANDLING INSTRUCTIONS
THIS PRODUCT WAS PREPARED FROM INSPECTED AND PASSED MEAT AND/OR POULTRY. SOME FOOD PRODUCTS MAY CONTAIN BACTERIA THAT COULD CAUSE ILLNESS IF THE PRODUCT IS MISHANDLED OR COOKED IMPROPERLY. FOR YOUR PROTECTION, FOLLOW THESE SAFE HANDLING INSTRUCTIONS:
KEEP REFRIGERATED OR FROZEN. THAW IN REFRIGERATOR OR MICROWAVE.
KEEP RAW MEAT AND POULTRY SEPARATE FROM OTHER FOODS. WASH WORKING SURFACES (INCLUDING CUTTING BOARDS), UTENSILS, AND HANDS AFTER TOUCHING RAW MEAT OR POULTRY.
KEEP HOT FOODS HOT. REFRIGERATE LEFTOVERS IMMEDIATELY OR DISCARD.
COOK THOROUGHLY.

Packed On Sep 27, 07	Best Before Sep 27, 07	Sell By Sep 27, 07
Net Wt/Ct 1.255 lb	Unit Price \$3.99/lb	Total Price \$5.01

HOBART SCALES
TROY, OH 45374

2¼" x 3" Label

EXPANDED TEXT EXPANDED TEXT EXPANDED TEXT EXPANDED

2
3
4
5
6
7
8
9
10
11
12
13
14
15
16
17
18
19
20
21
22
23
24
25
26
27
28
29
30
31
32
33
34
35
36
37
38

Sell By Sep 27, 07	Net Wt/Ct 1	Total Price \$3.99
-----------------------	----------------	-----------------------

34 oz (2 lb 2 oz)

2¼" x 4½" Label

Tare 0.005 lb	THANK YOU!	Sell By Sep 27, 07
Net Wt/Ct 1.260 lb	Unit Price \$3.99/lb	Total Price \$5.03

HOBART SCALES
TROY, OH 45374

2¼" x 3½" Label

HLX SCALE SYSTEM



701 S Ridge Avenue, Troy, OH 45374
1-888-4HOBART • www.hobartcorp.com

FONTS

Abalone

Arial

Arial Italic

Arial Bold

Arial Bold Italic

Arial Narrow

Centurion

Chiller

Comic Sans MS

Comic Sans MS Bold

Courier New

Courier New Italic

Courier New Bold

Courier New Bold Italic

Everest

Franklin Gothic Medium

Franklin Gothic Medium Italic

Georgia

Georgia Italic

Georgia Bold

Georgia Bold Italic

Gravilex

Hauteclaire

Hobart

Hobart Bold

Hobart Plain

Impact

London

Lucida Console

Lucida Sans Unicode

∩ ∨ × ◡ ◢ ◣

Microsoft Sans Serif

Palatino Linotype

Palatino Linotype Italic

Palatino Linotype Bold

Palatino Linotype Bold Italic

Patrician

QUANTUM

Sp

Sp Large

Tahoma

Tahoma Bold

Tancred

Times New Roman

Times New Roman Italic

Times New Roman Bold

Times New Roman Bold Italic

Trebuchet MS

Trebuchet MS Italic

Trebuchet MS Bold

Trebuchet MS Bold Italic

Ultima

Verdana

Verdana Italic

Verdana Bold

Verdana Bold Italic

▶ 📦 🚲 📄 ⓘ ● ■

⊕ ✕ ■ ¶ ⚡ ⚡ ✕ ✕ ✕



701 S Ridge Avenue, Troy, OH 45374
1-888-4HOBART • www.hobartcorp.com

HLX SCALE SYSTEM

LABELS AND PRINTING OPTIONS

STANDARD MERCHANDISING GRAPHICS or DESIGN YOUR OWN – Hobart will create them.



SAFE HANDLING INSTRUCTIONS
THIS PRODUCT WAS PREPARED FROM INSPECTED AND PASSED MEAT AND/OR POULTRY. SOME FOOD PRODUCT MAY CONTAIN BACTERIA THAT COULD CAUSE ILLNESS IF THE PRODUCT IS MISHANDLED OR COOKED IMPROPERLY. FOR YOUR PROTECTION, FOLLOW THESE SAFE HANDLING INSTRUCTIONS.

KEEP REFRIGERATED OR FROZEN. THAW IN REFRIGERATOR OR MICROWAVE. COOK THOROUGHLY

KEEP RAW MEAT AND POULTRY SEPARATE FROM OTHER FOODS. WASH WORKING SURFACES (INCLUDING CUTTING BOARDS), UTENSILS, AND HANDS AFTER TOUCHING RAW MEAT OR POULTRY. KEEP HOT FOODS HOT. REFRIGERATE LEFT-OVERS IMMEDIATELY OR DISCARD.



SAFE HANDLING INSTRUCTIONS
THIS PRODUCT WAS PREPARED FROM INSPECTED AND PASSED MEAT AND/OR POULTRY. SOME FOOD PRODUCTS MAY CONTAIN BACTERIA THAT COULD CAUSE ILLNESS IF THE PRODUCT IS MISHANDLED OR COOKED IMPROPERLY. FOR YOUR PROTECTION, FOLLOW THESE SAFE HANDLING INSTRUCTIONS.

KEEP REFRIGERATED OR FROZEN. THAW IN REFRIGERATOR OR MICROWAVE. COOK THOROUGHLY

KEEP RAW MEAT AND POULTRY SEPARATE FROM OTHER FOODS. WASH WORKING SURFACES (INCLUDING CUTTING BOARDS), UTENSILS, AND HANDS AFTER TOUCHING RAW MEAT OR POULTRY. KEEP HOT FOODS HOT. REFRIGERATE LEFTOVERS IMMEDIATELY OR DISCARD.



SAFE HANDLING INSTRUCTIONS
THIS PRODUCT WAS PREPARED FROM INSPECTED AND PASSED MEAT AND/OR POULTRY. SOME FOOD PRODUCTS MAY CONTAIN BACTERIA THAT COULD CAUSE ILLNESS IF THE PRODUCT IS MISHANDLED OR COOKED IMPROPERLY. FOR YOUR PROTECTION, FOLLOW THESE SAFE HANDLING INSTRUCTIONS:

KEEP REFRIGERATED OR FROZEN. THAW IN REFRIGERATOR OR MICROWAVE. COOK THOROUGHLY.

KEEP RAW MEAT AND POULTRY SEPARATE FROM OTHER FOODS. WASH WORKING SURFACES (INCLUDING CUTTING BOARDS), UTENSILS, AND HANDS AFTER TOUCHING RAW MEAT OR POULTRY. KEEP HOT FOODS HOT. REFRIGERATE LEFTOVERS IMMEDIATELY OR DISCARD.

THANK YOU!



Thank You
For Your Patronage



1/4 IN.
LEAN
TRIM

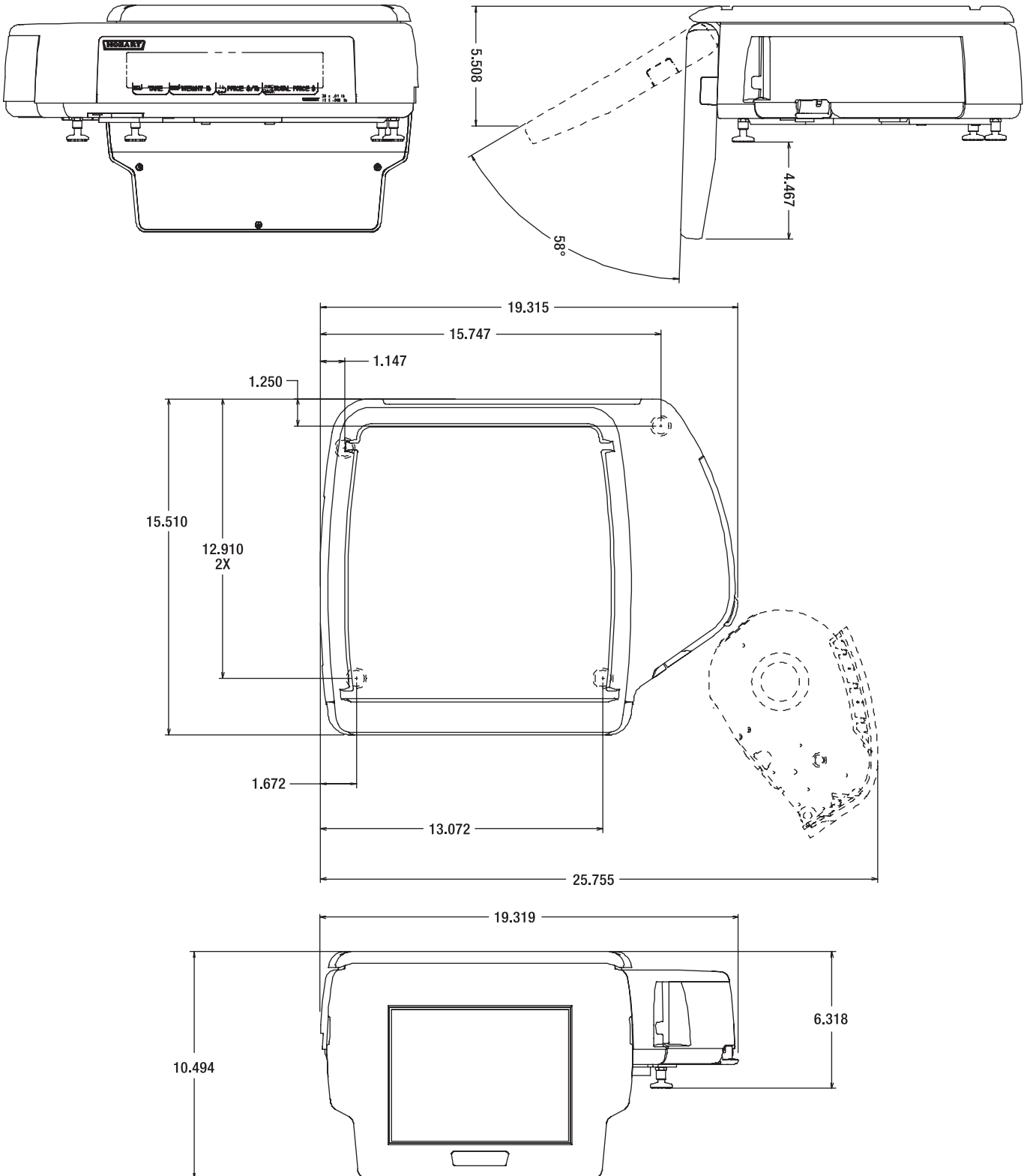


HLX SCALE SYSTEM



701 S Ridge Avenue, Troy, OH 45374
1-888-4HOBART • www.hobartcorp.com

DETAILS AND DIMENSIONS



As continued product improvement is a policy of Hobart, specifications are subject to change without notice.