

HOBART701 S Ridge Avenue, Troy, OH 45374
1-888-4HOBART • www.hobartcorp.com**ACCESS AUTOMATIC
WRAPPING SYSTEM****HOBART****STANDARD FEATURES**

- Fully automatic - operator places package into the Access, weighing, wrapping and labeling is all done automatically.
- Integrated scale and label applier to reduce floor space requirements
- 2 rolls of film to minimize film usage
- Auto off/on timer for heated sealer belt
- Hose-downable just like the meat saw or mixer grinder
- Dual heaters in sealer belt for improved bottom seal
- System automatically shuts down when not in use
- Swivel wand allows for label placement on all four corners of the meat package
- System allows for remote diagnostics/monitoring
- Package range up to 10" L X 16" W X 6" H
- Enlarged scale intake for manual weighing of turkeys and whole hams

ACCESSORIES

- SHELF-ACCESS Folding Side Shelf (Left or Right)
- RBG-2 Rotary Bin Gravity with Casters
- HRT5-3 Roller Discharge Table
- GRVCON-1 4 ft. Discharge Roller Conveyor
- BLA Bottom Label Applier

MODELS

- AWS-1LR Access Wrapping System (Left to Right)
- AWS-1RL Access Wrapping System (Right to Left)

OPTIONS AT EXTRA COST

- EPP-1 Access PrePack Printer
- EPCP-1 Access PrePack Control Panel
- ACCESS-2PTRRL Access Second Printer Kit (right to left)
- ACCESS-2PTRLR Access Second Printer Kit (left to right)

Specifications, Details and Dimensions on Inside and Back.

**ACCESS AUTOMATIC WRAPPING SYSTEM**

ACCESS AUTOMATIC WRAPPING SYSTEM



701 S Ridge Avenue, Troy, OH 45374
1-888-4HOBART • www.hobartcorp.com

SPECIFICATIONS

WEIGHING

- Capacity – 30 lbs. (Manual) 15 lbs. (Automatic mode)
- Weighing increments – .01 lb
- Minimum weight to print – .20 lb

LABELING

- Label Width – 1.5", 2.25" and 3.0"
- Label Length – 1.5" up to 4.0" in .5" inch increments

WRAPPING

- Package Size Width – 4.5" min, 16.0" max
- Length – 4.5" min, 10.1" max
- Height – .4" min, 6.0" max
- Wrapping Speed – Maximum of 30 packages per minute
- Number of Film Rolls – 2
- Type of Film Used – PVC
- Film Thickness – 60 gauge min, 100 gauge max
- Film Core Size – 3" I.D.
- Film Maximum Diameter – 9.5" O.D.
- Film Widths – 13" min, 20" max

ELECTRICAL

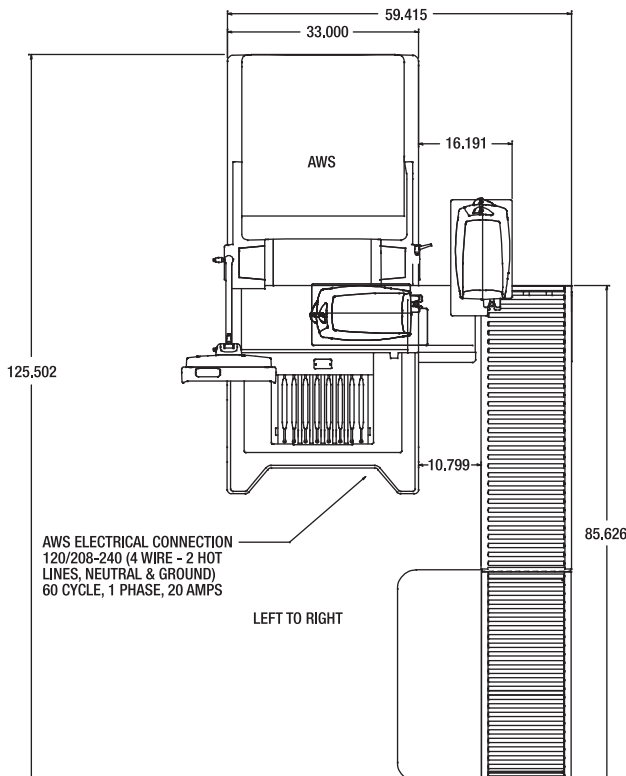
- 120/208-240 (4 wire-2 hot lines, neutral & ground)
- 60 cycle, 1 phase, 20 amps

SHIPPING WEIGHT

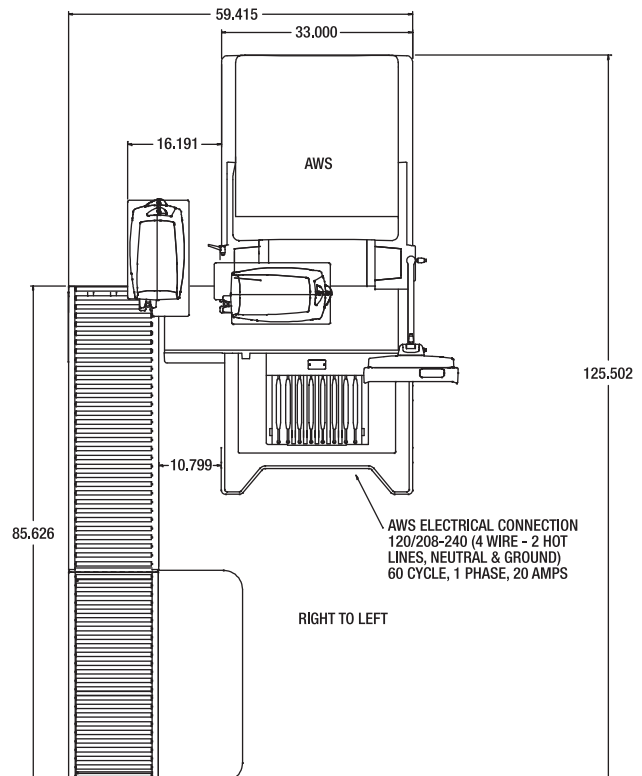
Approximately 1,300 lbs.



Film load area at rear of wrapper



Access Wrapping System with two EPP Printers and HRT5 L-R

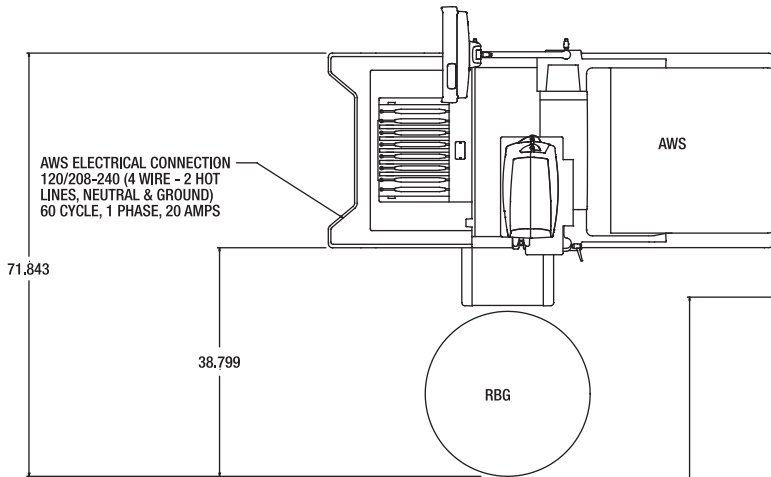


Access Wrapping System with two EPP Printers and HRT5 R-L

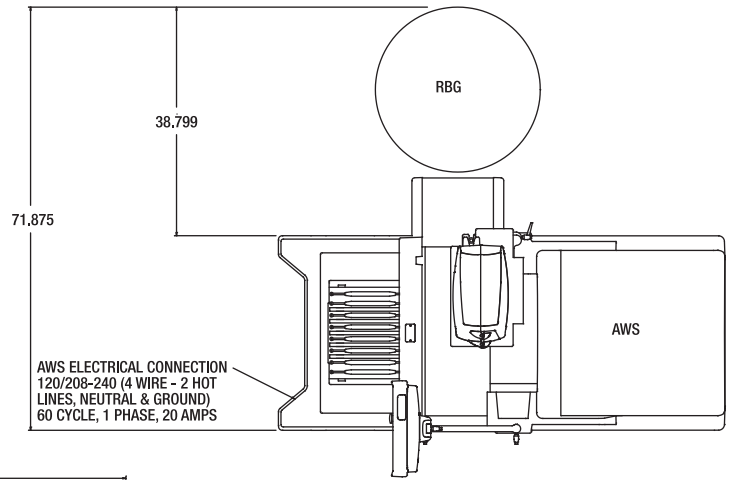


701 S Ridge Avenue, Troy, OH 45374
1-888-4HOBART • www.hobartcorp.com

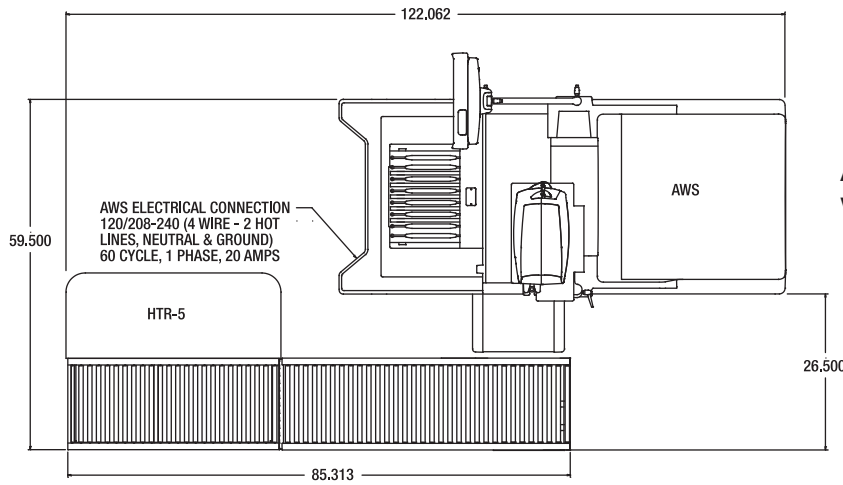
ACCESS AUTOMATIC WRAPPING SYSTEM



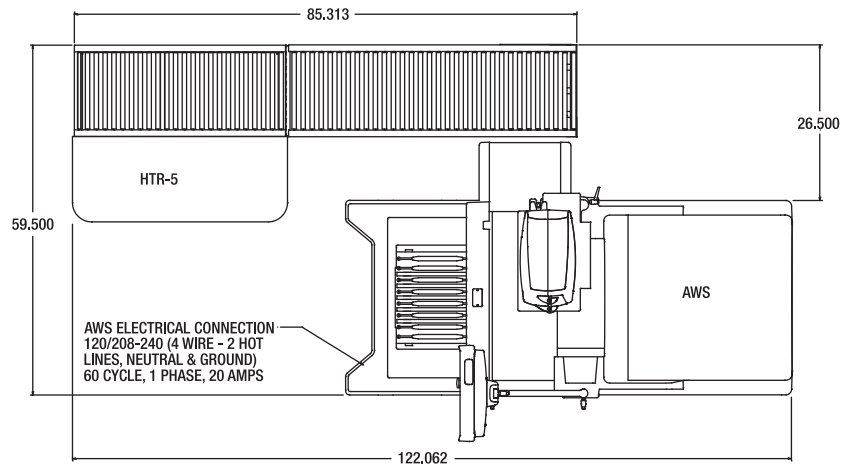
Access Wrapping System with RGB L-R



Access Wrapping System with RGB R-L



Access Wrapping System with HRT5 L-R



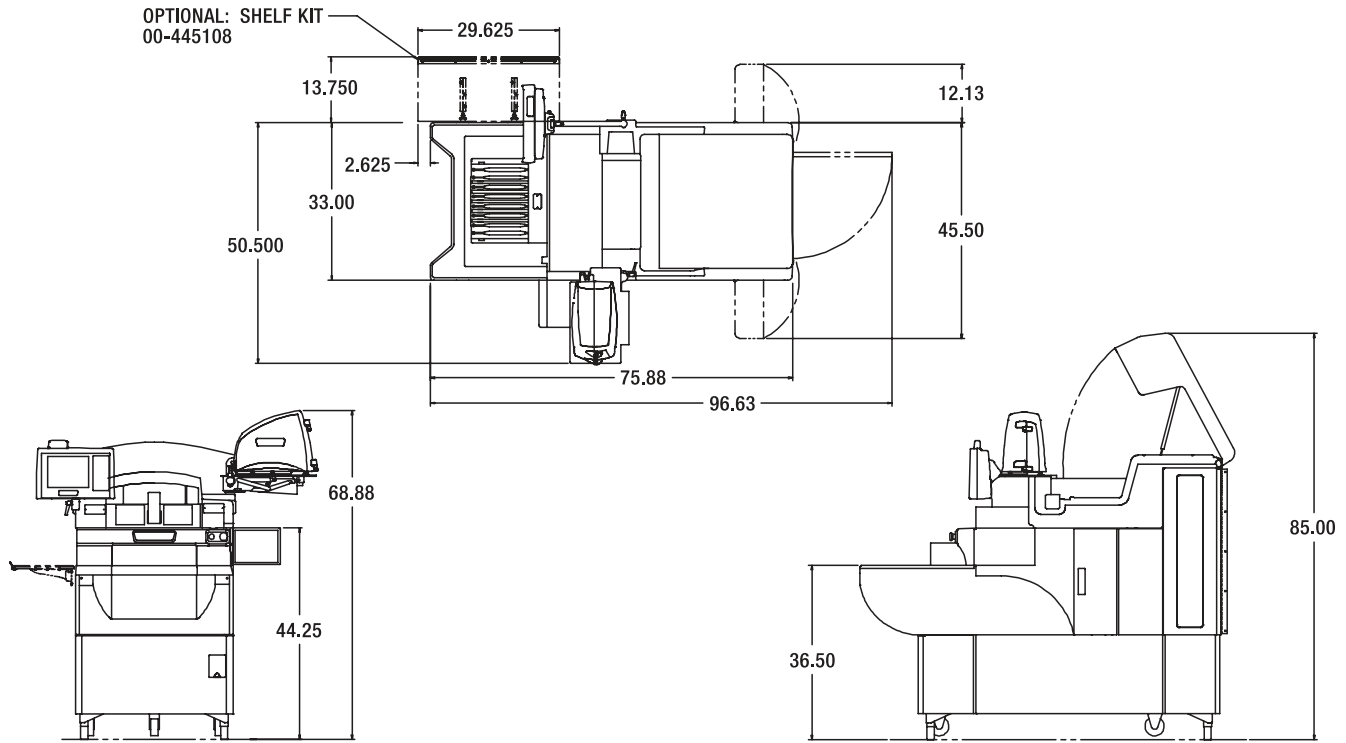
Access Wrapping System with HRT5 R-L

ACCESS AUTOMATIC WRAPPING SYSTEM

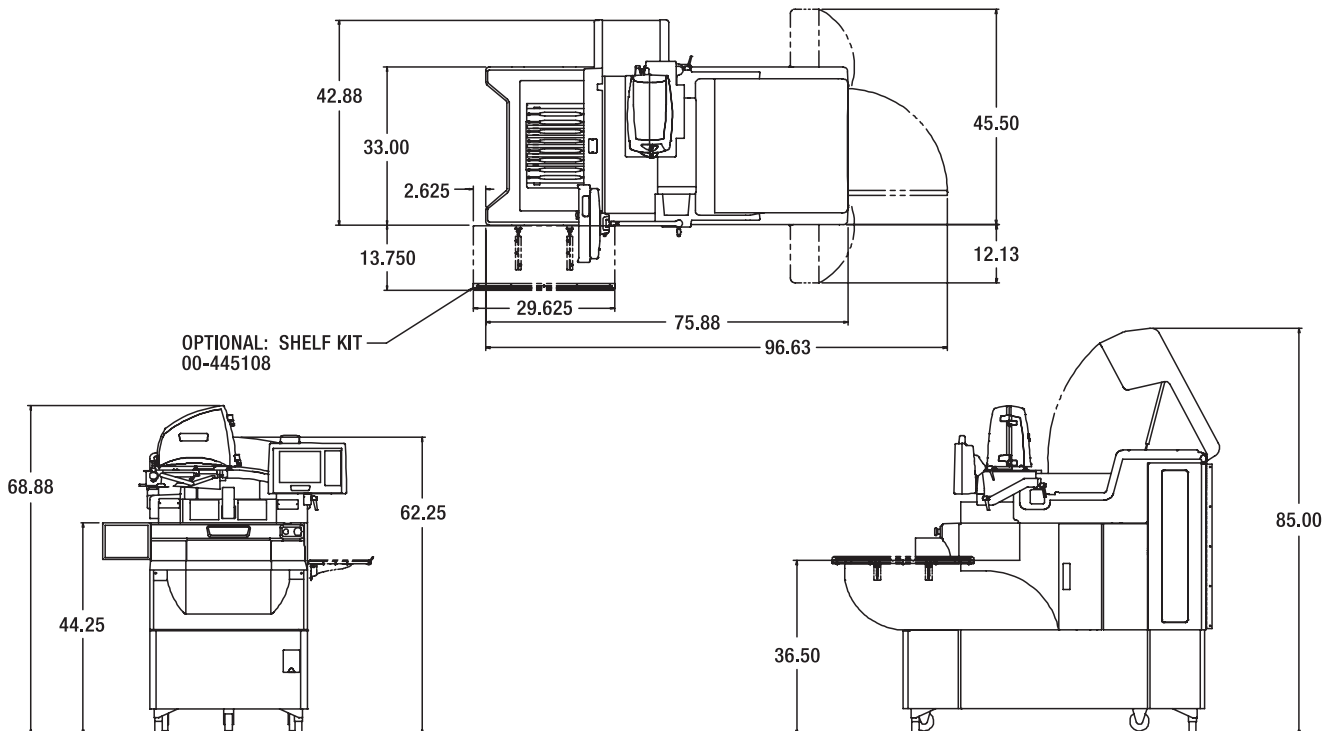


701 S Ridge Avenue, Troy, OH 45374
1-888-4HOBART • www.hobartcorp.com

DETAILS AND DIMENSIONS



Left to Right Operation



Right to Left Operation

As continued product improvement is a policy of Hobart, specifications are subject to change without notice.