

**HOBART**701 S Ridge Avenue, Troy, OH 45374  
1-888-4HOBART • www.hobartcorp.com**NDP1  
NAFEM GATEWAY****HOBART****GATEWAY DETAILS**

The Hobart/Traulsen Gateway works with NAFEM capable equipment to communicate via the NAFEM Data Protocol. The Gateway will be positioned between the Hobart and/or Traulsen equipment and the local area network (LAN). It provides the conduit for the communication to an in-store enterprise application, regional office, or headquarters. This allows for the connected enterprise application to collect and monitor data relative to the operation of the piece of equipment. The data monitored and stored are dependent on the software used in conjunction with the Gateway and equipment. Please refer to your software provider for further details on data collection. The Gateway can address up to eight pieces of equipment, with only one connection needed to the enterprise application.

**MODEL** NAFEM Gateway

Specifications, Details and Dimensions on Reverse Side.

**STANDARD FEATURES**

- Interfaces to NAFEM Data Protocol capable equipment providing full compliance
- Supports alarm notification
- Supports bulk transfer mechanism
- High performance micro-processor
- Real time clock with accuracy of  $\pm$  four seconds/year and battery backup
- Ethernet 10BASE-T with RJ45 connector for LAN and WAN
- Serial Port: RS-485 with DB-9 connector for equipment interface
- Power supply: polarized DC power jack for wall mounted transformer
- Gateway is capable of reporting 60 points of information from the machine
- Assists in utility and inventory management

**NDP1 NAFEM GATEWAY**

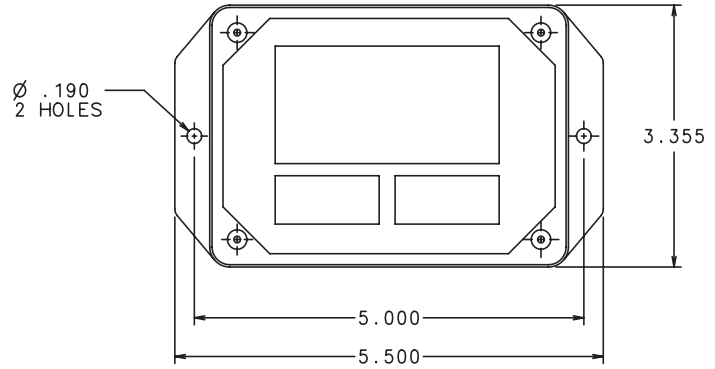
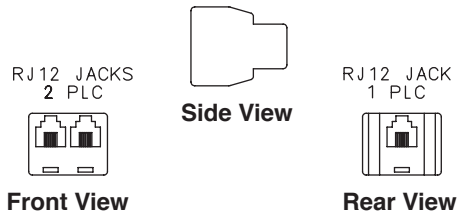
# NDP1 NAFEM GATEWAY



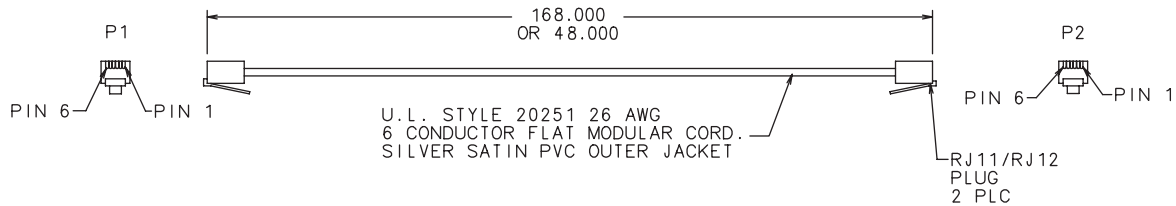
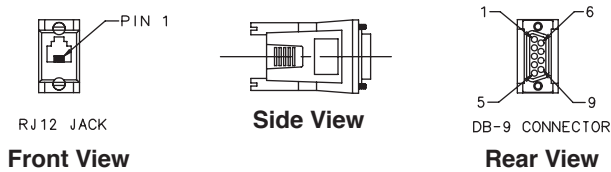
701 S Ridge Avenue, Troy, OH 45374  
1-888-4HOBART • www.hobartcorp.com

## DETAILS AND DIMENSIONS

### Y-Adapter Connector

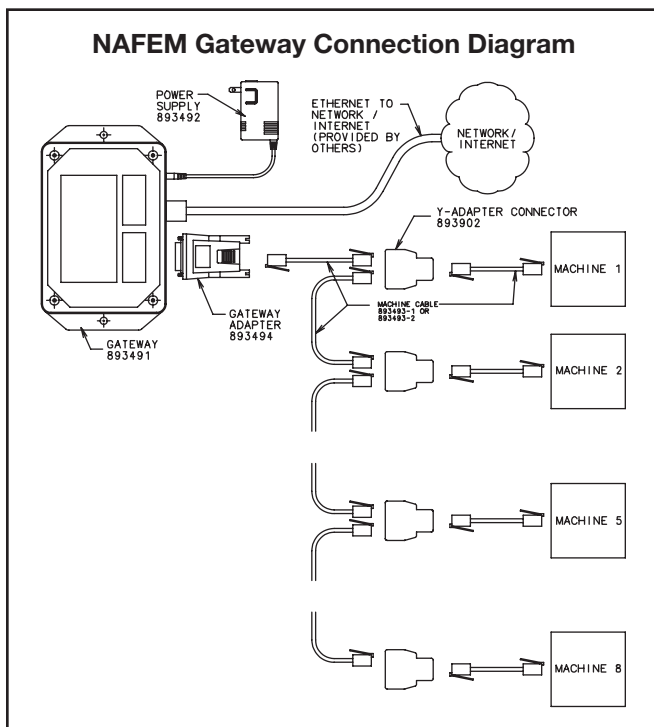


### Gateway Adapter



Machine cable used to connect equipment to equipment and connect equipment to Gateway with a Y-adapter connector and Gateway adapter (2 cables, Y-adapter connector and Gateway adapter included)

### NAFEM Gateway Connection Diagram



The Hobart/Traulsen NAFEM Gateway kit will come complete with one Gateway containing three connection points – one for power, one for Ethernet or server connection, and one for connection from the target equipment. A power supply cord with six feet of line is provided for the Gateway. Cordage is provided for connection from the Gateway to one piece of target equipment.

As continued product improvement is a policy of Hobart, specifications are subject to change without notice.