

MODEL ECO2D HALF SIZE ELECTRIC CONVECTION OVEN



Model ECO2D
Shown on optional S/S stand with casters



SPECIFICATIONS:

Half size electric convection oven, Model No. ECO2D, manufactured by Vulcan Hart. Porcelain enamel on steel oven interior measures 15¹/₄"w x 21"d x 20"h. Furnished with nine position nickel plated rack guides and five nickel plated racks measuring 14³/₈" x 20⁷/₈". Heated by enclosed tubular heating elements rated at 5.5 KW. Stainless steel front, sides, top and rear enclosure panel. Insulation applied to the top, rear, both sides, bottom and door. Stainless steel door with double pane window. Solid state temperature controls adjustable from 200° to 500°F. 60 minute electrical timer with continuous sounding buzzer. Two speed 1/3 H.P. permanently lubricated oven blower motor. Requires 208/240 volt, 60 Hz, 1 or 3 phase supply.

Exterior dimensions: 30"w x 28¹/₄"d x 30⁵/₈"h on 4" legs.

NSF listed. U L listed. U L listed to Canadian safety standards.

STANDARD FEATURES

- Stainless steel front, sides, top and rear enclosure panel.
- 4" adjustable chrome plated legs.
- Stainless steel door with double pane window.
- Cool to the touch oven door handle.
- Stainless steel oven door gaskets.
- 5.5 KW input.
- Solid state temperature control adjusts from 200° to 500°F.
- 60 minute electric timer with time expired buzzer.
- 1/3 H.P. two speed fan motor.
- Oven cool switch for rapid cool down when door is open.
- Oven interior liners are porcelain on steel.
- Nine position rack guide with five nickel plated racks.
- Requires 208/240 volt, 60 Hz, 1 or 3 phase power supply.
- One year limited parts and labor warranty.

OPTIONS

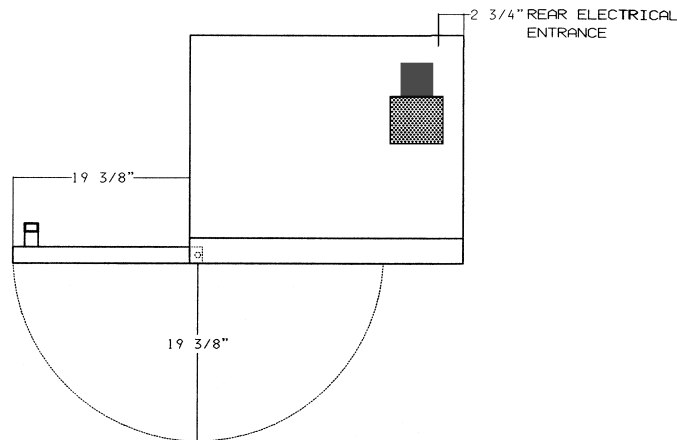
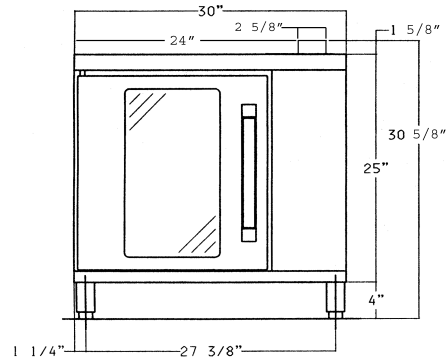
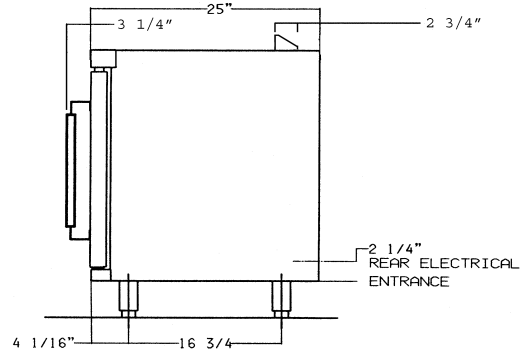
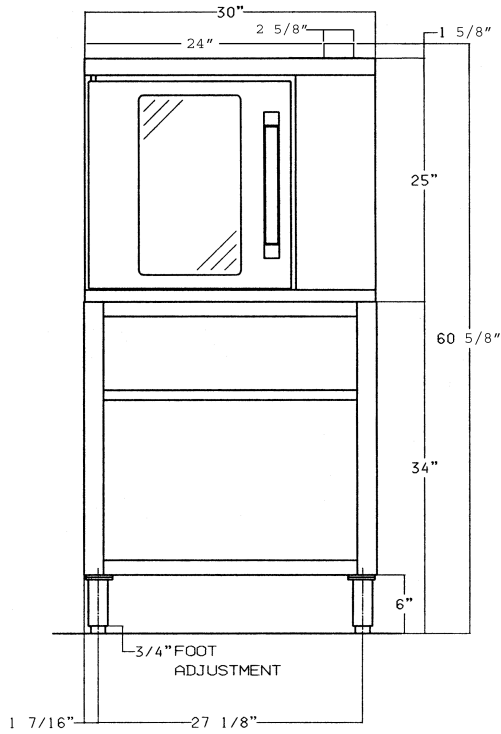
- Set of four 16³/₄" stainless steel legs with adjustable feet and stack set.
- Set of four 16³/₄" stainless steel legs with casters and stack set.
- 34" stainless steel stand with legs and nine position rack storage capacity.
- 34" stainless steel stand with casters and nine position rack storage capacity.
- Rack hanger.
- Second year extended limited parts and labor warranty.

VULCAN

MODEL ECO2D HALF SIZE ELECTRIC CONVECTION OVEN

NOTE: This appliance may be installed with 1.0" clearance at the rear and 0" clearance on both sides adjacent to combustible construction.

This appliance is manufactured for commercial installation only and is not intended for domestic/household installation.



ELECTRICAL DATA

MODEL	TOTAL KW	208, 240Volt - 3 PHASE LOADING KW PER PHASE			NOMINAL AMPS PER LINE WIRE							
					3 PHASE						1 PHASE	
		L1-L2	L2-L3	L1-L3	208V			240V			208V	240V
					L1	L2	L3	L1	L2	L3		
ECO2D	5.5	2.5	0	3.0	23	10	12	20	9	11	26	23

NOTE: In line with its policy to continually improve its products, Vulcan-Hart Company reserves the right to change materials and specifications without notice.

VULCAN-HART COMPANY, P.O. BOX 696, LOUISVILLE, KY 40201, TEL. 1-800-814-2028
502-778-2791 QUOTE & ORDER FAX: 1-800-444-0602