

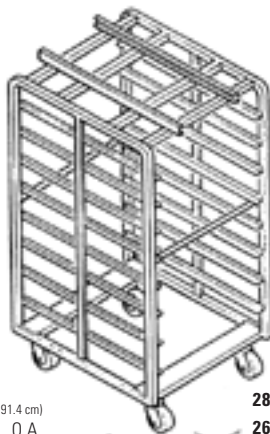




# HEAVY DUTY RACKS FOR Double Rack Ovens

Single End Load	Single Side Load	Double Side Load
 <p>26" (66.0 cm) O.A. 20.38" (51.8 cm) O.A. 18.2" (46.2 cm) Pan Clearance</p>	 <p>18" (45.7 cm) O.A. 28.38" (72.1 cm) O.A. 26.2" (66.5 cm) Pan Clearance</p>	 <p>36" (91.4 cm) O.A. 28.38" (72.1 cm) O.A. 26.2" (66.5 cm) Pan Clearance</p>
<b>Overall Height: 69.8" (177.3 cm)</b>		

### Ordering Information:

Slides		Single End Load for Double Rack Oven		Single Side Load for Double Rack Oven		Double Side Load for Double Rack Oven	
Qty	Space	Model No.	Weight	Model No.	Weight	Model No.	Weight
8	7.5**	BDSRSB-8	91 lbs (41 kg)	BDSSRSB-8	87 lbs (39 kg)	BDRSB-8	113 lbs (51 kg)
10	6**	BDSRSB-10	96 lbs (44 kg)	BDSSRSB-10	90 lbs (41 kg)	BDRSB-10	120 lbs (54 kg)
12	5**	BDSRSB-12	101 lbs (46 kg)	BDSSRSB-12	94 lbs (43 kg)	BDRSB-12	126 lbs (57 kg)
15	4**	BDSRSB-15	108 lbs (49 kg)	BDSSRSB-15	98 lbs (44 kg)	BDRSB-15	136 lbs (62 kg)
20	3**	BDSRSB-20	119 lbs (54 kg)	BDSSRSB-20	106 lbs (48 kg)	BDRSB-20	152 lbs (69 kg)

**Shipping Options:**

Add the following codes to the model number to specify shipping choice:

- **SPA** = Knock-Down
- **A** = Assembled & Welded
- **W** = Assembled & Fully Welded for Prisons

**EX:** BDSRSB-8SPA for knock-down or BDSRSB-8A for Assembled & Welded.

**Freight Class:**

**Shipped Knock-Down:** Class 85

**Shipped Assembled:** Class 250 for under 90 lbs. or Class 150 for 90 lbs. and over.

**Double Rack Shipped Assembled:** Class 250

\* Slide surface to slide surface.

**Construction** 16-gauge stainless steel. Casters are 4" swivel type, with life-time lubricated wheel bearings. Rated for 580°F, 400 lbs. each.

**Capacity** Designed for 18" x 26" pans or 5-on bread strap pans for Side Load Rack. (Allow ±2 inches between finished products for best results.)

**Baxter's Double Rotating Rack Oven will fit:**

- 2 single racks (end load or side load)
- 1 double side load rack

**Note:** Oven racks are designed for use with the Baxter B-Lift carrier. Contact factory for alternate carriers or configurations.

Area Reserved For Consultant & Contractor Approvals

Manufacturer reserves the right to make changes in sizes and specifications.



19220 State Route 162 East  
Orting, WA 98360  
www.baxterbakery.com

**Factory**  
(360) 893-5554

**Customer Care**  
(800) 777-2828  
or  
(800) 462-2778

**Customer Care Fax**  
(937) 332-2852