



INGREDIENT BIN

STANDARD FEATURES

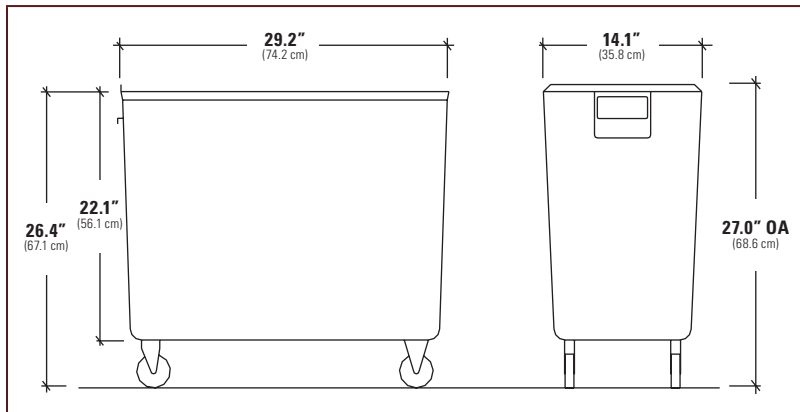
- Stainless steel all-welded bin with sliding cover
- Sanitary cover corner design eliminates the need for costly replacement liners
- Approximate capacity of 120 lbs. (54kg) of cake flour or 190 lbs (86kg) of granulated sugar
- Sturdy 3" non-marking casters (2 fixed and 2 swivel) require no lubrication
- Moves easily when fully loaded
- Divided compartments conveniently separate ingredients within one mobile unit

MODEL CONFIGURATION

Model	Description	Weight
INGBIN-1CMPT1	1 Compartment bin, packaged 1 to a box	40 lbs/18.1kg Frt cl 150
INGBIN-1CMPT2	1 Compartment bin, packaged 2 to a box	80 lbs/36.3kg Frt cl 100
INGBIN-1CMPT3	1 Compartment bin, packaged 3 to a box	120 lbs/54.4kg Frt cl 92.5
INGBIN-1CMPT4	1 Compartment bin, packaged 4 to a box	160 lbs/23.6kg Frt cl 85
INGBIN-2COMPT	2 Compartment bin, packaged 1 to a box	52 lbs/23.6kg Frt cl 150
INGBIN-3COMPT	3 Compartment bin, packaged 1 to a box	64 lbs/29.0kg Frt cl 150

Table Length	4' (1.2m)	5' (1.5m)	6' (1.8m)	8' (2.4m)	10' (3.0m)	12' (3.7m)
Maximum Bin Quantity	2	3	4	5	7	9

Note: Table must be 36" (91 cm) wide min. to accommodate ingredient bin below.



Area Reserved For Consultant & Contractor Approvals

Manufacturer reserves the right to make changes in sizes and specifications.



19220 State Route 162 East
Orting, WA 98360
www.baxterbakery.com

Factory
(360) 893-5554

Customer Care
(800) 777-2828
or
(800) 462-2778

Customer Care Fax
(937) 332-2852