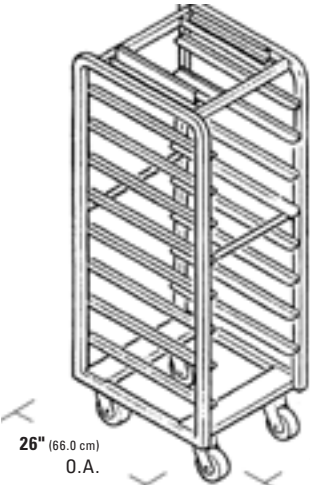
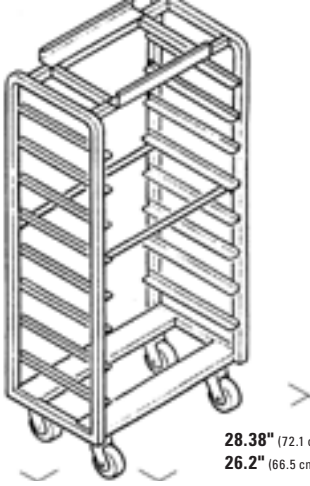




# HEAVY DUTY RACKS FOR Single Rack Ovens

Single End Load	Single Side Load
 <p>26" (66.0 cm) O.A. 20.38" (51.8 cm) O.A. 18.2" (46.2 cm) Pan Clearance</p>	 <p>18" (45.7 cm) O.A. 28.38" (72.1 cm) O.A. 26.2" (66.5 cm) Pan Clearance</p>
<p><b>Overall Height:</b> 69.8" (177.3 cm)</p>	

## ORDERING INFORMATION:

Slides		Single End Load for Single Rack Oven		Single Side Load for Single Rack Oven	
Qty	Space	Model No.	Weight	Model No.	Weight
8	7.5"*	BSRSB-8	91 lbs (41 kg)	BSSRSB-8	87 lbs (39 kg)
10	6"*	BSRSB-10	96 lbs (44 kg)	BSSRSB-10	90 lbs (41 kg)
12	5"*	BSRSB-12	101 lbs (46 kg)	BSSRSB-12	94 lbs (43 kg)
15	4"*	BSRSB-15	108 lbs (49 kg)	BSSRSB-15	98 lbs (44 kg)
20	3"*	BSRSB-20	119 lbs (54 kg)	BSSRSB-20	106 lbs (48 kg)

**Shipping Options:**

Add the following codes to the model number to specify shipping choice:

- **SPA** = Knock-Down
- **A** = Assembled & Welded
- **W** = Assembled & Fully Welded for Prisons

**EX:** BSRSB-8SPA for knock-down or BSRSB-8A for Assembled & Welded.

**Freight Class:**

**Shipped Knock-Down:** Class 70

**Shipped Assembled:** Class 250 for under 90 lbs. or Class 150 for 90 lbs. and over.

\* Slide surface to slide surface.

**Construction** 16-gauge stainless steel. Casters are 4" swivel type, with life-time lubricated wheel bearings. Rated for 580°F, 400 lbs. each.

**Capacity** Designed for 18" x 26" pans or 5-on bread strap pans for Side Load Rack. (Allow ±2 inches between finished products for best results.)

**Baxter's Single Rotating Rack Oven will fit:**

- 1 single rack (end load or side load)

**Note:** Oven racks are designed for use with the Baxter B-Lift carrier. Contact factory for alternate carriers or configurations.

Area Reserved For Consultant & Contractor Approvals

Manufacturer reserves the right to make changes in sizes and specifications.



19220 State Route 162 East  
Orting, WA 98360  
www.baxterbakery.com

**Factory**  
(360) 893-5554

**Customer Care**  
(800) 777-2828  
or  
(800) 462-2778

**Customer Care Fax**  
(937) 332-2852